

RF Adapter N Female to N Female, Bulkhead Rear Mount

Model Number

AD-N2N2.BRM

GTIN-13

9337692000867

Component Type

RF Adapter

Usage

General Purpose

RF Category

UHF, Cellular, WiFi



N Female to N Female bulkhead adapters are designed to mount through a surface to provide a weatherproof penetration or strain-relief when interconnecting devices. N Female Bulkhead adapters are sometimes called panel mount adapters. They are ideal for panel mounting, enclosure casing mounting, or with wall plates.

The rear bulkhead interface is chamfered to prevent twisting when mounted.

Bulkhead Rear Mount interfaces have a mounting nut in front of panel. Used to transmit a signal from internal circuitry through a panel using a single mounting hole. Best suited for use with thick panels.

- Includes nut, rubber gasket, and shake proof shim
- Supports frequencies up to 6 GHz
- Manufactured under strict ISO 9001 procedures
- Interfaces compliant to IEC 61169-16

Component Technical Data

PHYSICAL CHARACTERISTICS

Body Material(s)	Brass	Contact Material(s)	Phosphor Bronze
Body Plating	Nickel	Contact Plating	Gold
Dimensions	42.1 x 16.2 x 16.2 mm	Operating Temperature	-65 °C to 165 °C
Weight	100 g	Mating Cycles	> 500
Mechanical Shock	MIL-STD-202 M.213 C.D	Vibration	MIL-STD-202 M.204 C.A

RF PERFORMANCE

Frequency Range	0 to 6000 MHz	Input Impedance	50 Ω
VSWR	< 1.5:1	Insertion Loss	< 0.1 dB
PIM, 3 rd Order	-	Working Voltage	500 Vrms

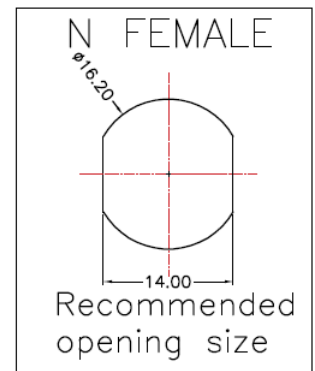
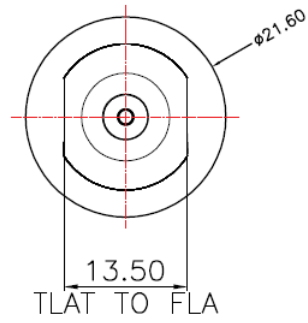
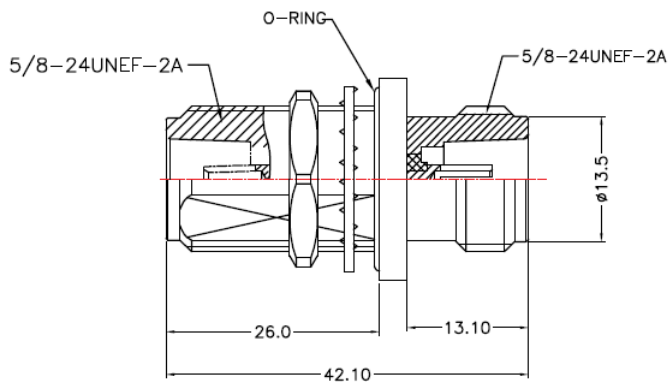
INTERFACE #1

Series	N	Body Shape	Straight
Gender	Female	Mounting	Free Hanging

INTERFACE #2

Series	N	Body Shape	Straight
Gender	Female	Mounting	Bulkhead, Rear Mount

CAD Drawing





Document Generated on 4/06/2022 11:42 AM

Disclaimer: Although care has been taken to ensure the accuracy, completeness and reliability of the information provided, Powertec assumes no responsibility therefore. The user of the information agrees that the information is subject to change without notice. Powertec assumes no responsibility for the consequences of use of such information, nor for any infringement of third party intellectual property rights which may result from its use. IN NO EVENT SHALL POWERTEC BE LIABLE FOR ANY DIRECT, INDIRECT, SPECIAL, OR INCIDENTAL DAMAGE RESULTING FROM, ARISING OUT OF OR IN CONNECTION WITH THE USE OF THE INFORMATION.



OBSEQUENTIA
SAFETY CERTIFIED
AS/NZS 4801:2001



OBSEQUENTIA
QUALITY CERTIFIED
ISO 9001:2015



OBSEQUENTIA
ENVIRONMENT CERTIFIED
ISO 14001:2015

