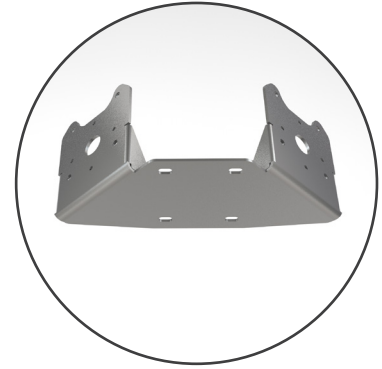
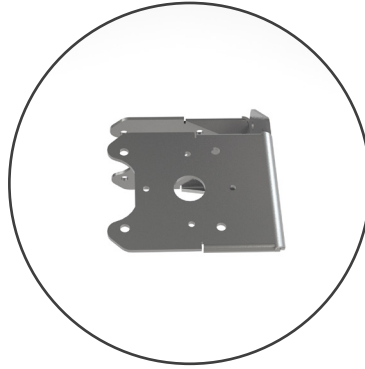


**BRACKET | BRKT-033**

# BRKT-033

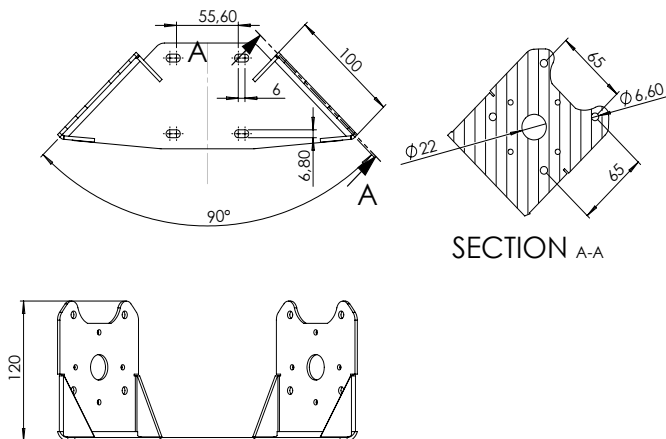
±45° POLARIZATION BRACKET FOR LPDA-92 AND OMNI-69



### Ordering Information

Commercial name:	BRKT-033
Order Product Code:	A-BRKT-033
EAN Number:	0707273469359

### Product Drawing



### Mechanical Specifications

Product Dimensions (LxW):	414 x 166mm
Packaged Dimensions (Polybag):	425 x 175mm
Weight:	0.990kg
Packaged Weight:	1.005kg
Material:	3mm 3CR12
Process:	Laser cut, bend & weld
Surface finish:	Brushed

### Product Box Contents

Product:	A-BRKT-033
M6 Washers (SS):	16
M6 Nuts (SS):	8
M6 x 30 Hexagonal Bolts (SS):	8

### Certification Approvals and Standards

Flammability rating:	UL:1581
Salt spray:	MIL-STD810F/ASTM B117
Product Safety:	Complies with UL, CE, EN, CSA and IEC standards

