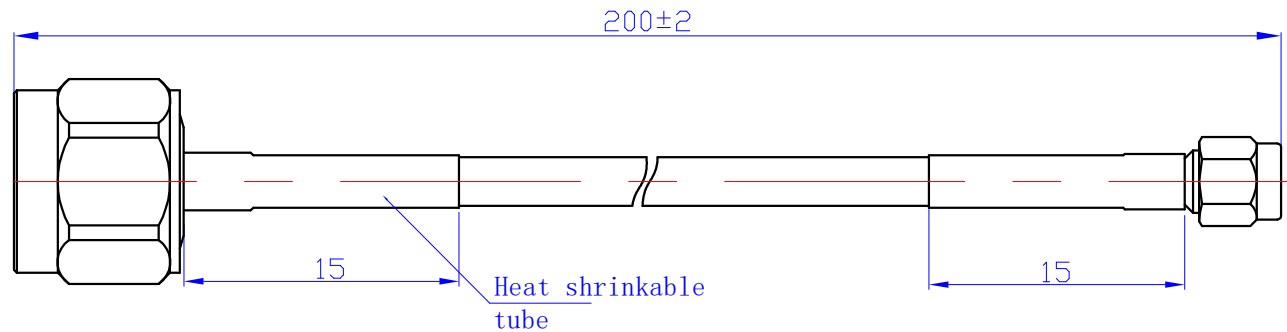




Low PIM Blue Patch Able SF-141 LSZH N/m-SMA/m - 20cm

ACC-PT-00304



Electrical Data	
Impedance	50 Ω
Frequency Range	DC-3GHz
VSWR	≤1.1
PIM	≤ -150dBc
Dielectric withstanding voltage	≥ 1000V
Insulation resistance	≥ 5000MΩ

General Specifications	
Nut	Brass, Nickel plated
Body	Brass, Trimetal plated
Insulator	PTFE
Centre Conductor	Brass, Ag plated
Standard	IEC 60169

POWERTEC TELECOMMUNICATIONS
 ABN: 42 082 948 463
 1300 769 378
sales@powertec.com.au