

QuMax for RUTX09

P/N: AX09M

INTEGRATED OUTDOOR MULTI-BAND HIGH POWER LTE DIRECTIONAL ANTENNAS + GPS ANTENNA + PLACE TO INSTALL TELTONIKA RUTX09 (ALL-IN-ONE)

QuMax offers the most powerful directional LTE antenna of all QuWireless antennas. It is dedicated to connections with long-distance to the base station. It is designed to have the Teltonika RUTX09 router installed inside the IP67 enclosure. It is the first choice for fixed installations in the industrial environment. It also has an embedded GPS antenna.



VERSION 1.01

OUTDOOR

Use Teltonika router wherever you want

ANTENNA

Maximize your signal with QuWireless antennas

SOLUTION

Plug Teltonika router and you are good to go

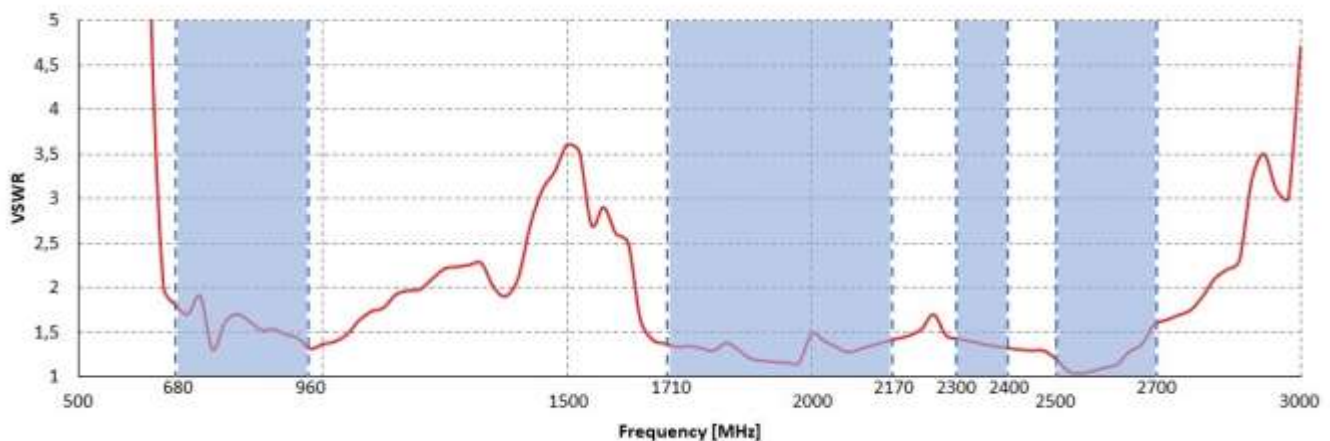
LTE SPECIFICATION

FREQUENCY	0.694-0.96 GHz 1.7 - 2.2 GHz 2.2 - 2.7 GHz
SUPPORTED LTE/5G BANDS	1, 2, 3, 4, 5, 6, 7, 8, 9, 10, 12, 13, 14, 17, 18, 19, 20, 23, 25, 26, 27, 28, 29, 30, 33, 34, 35, 36, 37, 38, 39, 40, 41, 44, 53, 59, 62, 65, 66, 67, 68, 69, 85, n80, n81, n82, n83, n84, n86, n89, n90, n95
GAIN	0.694 - 0.96 GHz : 4 dBi 1.7 - 2.2 GHz : 5 dBi 2.2 - 2.7 GHz : 6 dBi
VSWR	<1.30, max <1.80
BEAMWIDTH	90°/90° +/- 30°
POLARIZATION	Vertical
IMPEDANCE	50 Ω

MECHANICAL SPECIFICATION

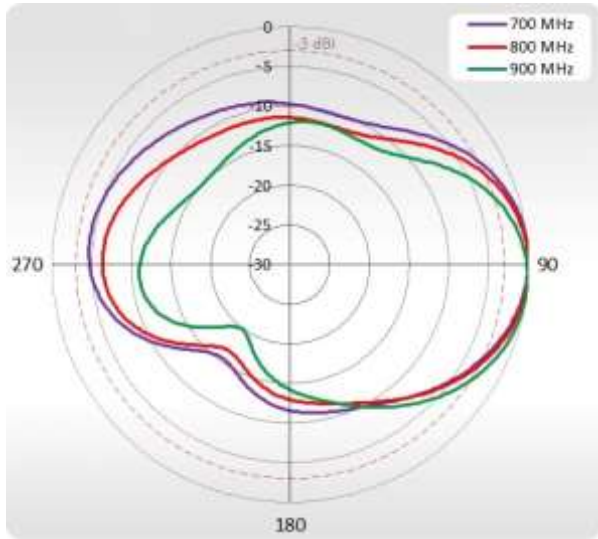
MATERIALS	ABS, aluminum, FR4, Fiberglass
INGRESS PROTECTION	IP67
CONNECTOR TYPE	RJ45
DIMENSIONS	272 x 276 x 96 mm 10.71 x 10.87 x 3.78 inch
WEIGHT	1.8 kg 3.97 lbs
OPERATING TEMPERATURE	From -40°C to 75°C From -40°F to 167°F

VSWR for LTE antenna

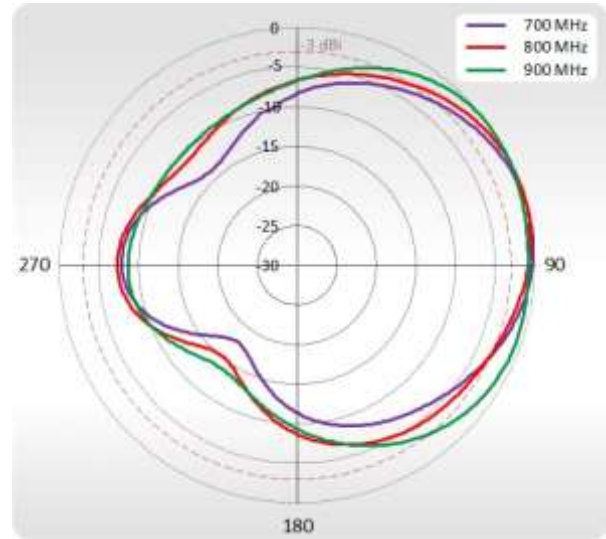


PLOTS

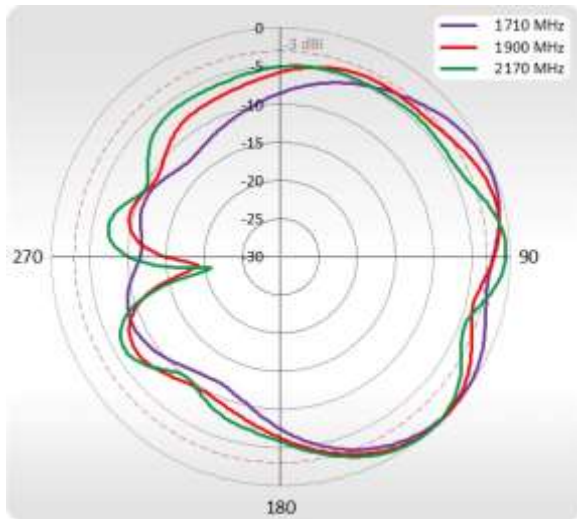
700-900 MHz Azimuth



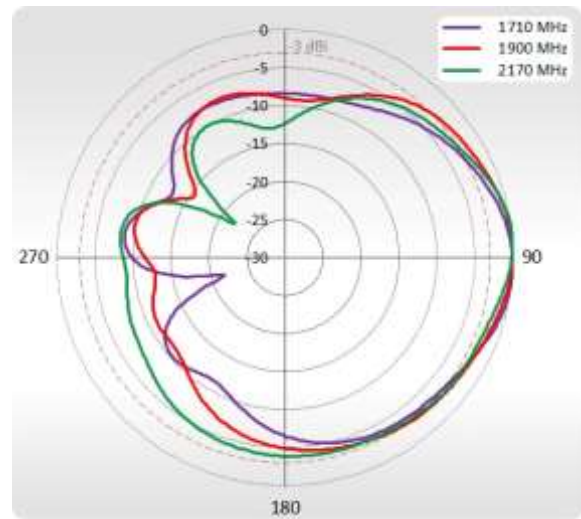
700-900 MHz Elevation



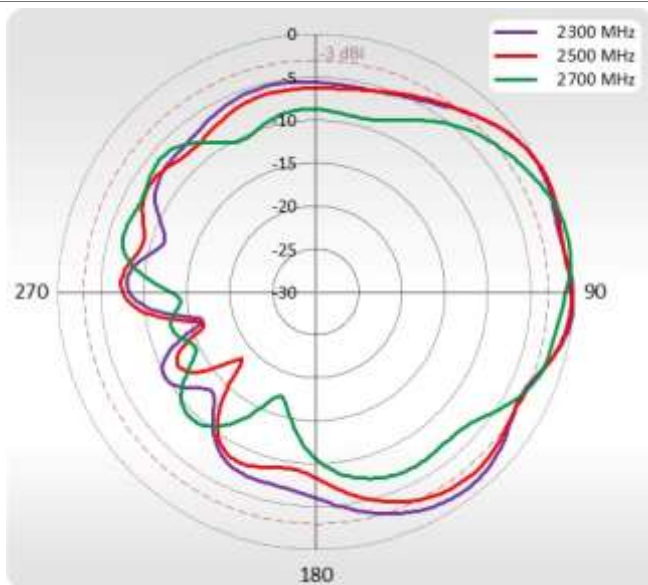
1710-2170 MHz Azimuth



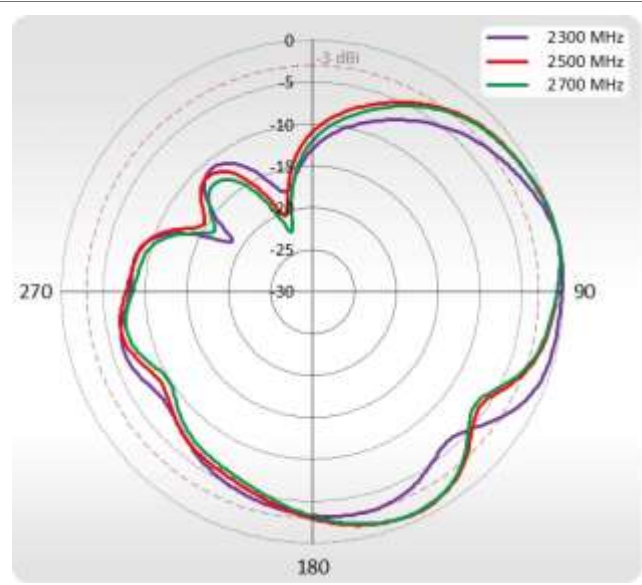
1710-2170 MHz Elevation



2300-2700 MHz Azimuth



2300-2700 MHz Elevation



DEVICE SPECIFICATION



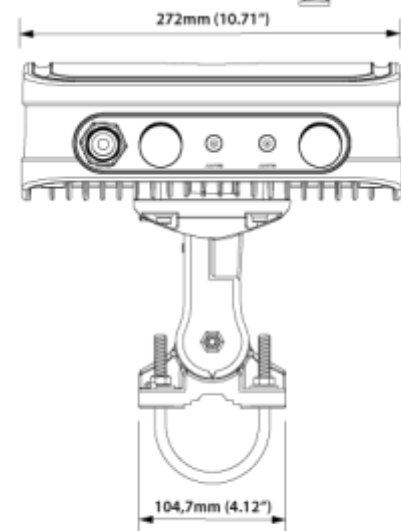
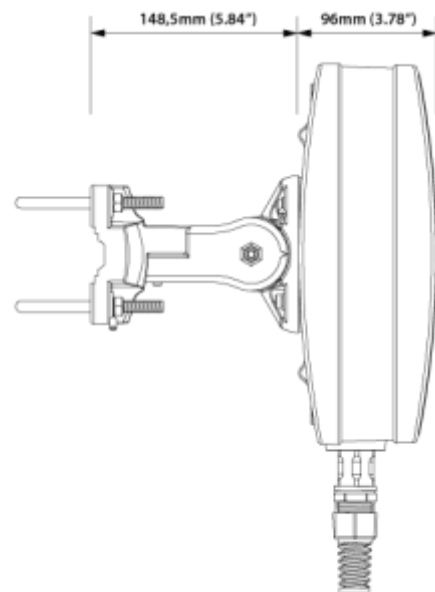
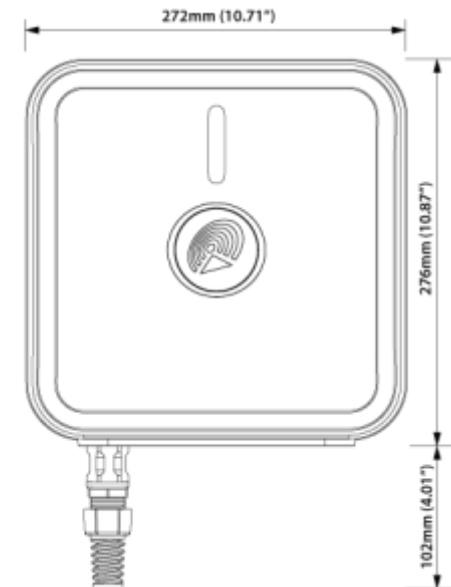
Next generation LTE-A Cat6 cellular IoT router with Dual SIM, Carrier Aggregation and Gigabit Ethernet interfaces. Rugged and powerful choice with VPN, Firewall and plenty of processing power for custom applications on OpenWrt based RutOS system.

[RUTX09 Datasheet](#)

[RUTX09 User Manual](#)

[RUTX09 Quick Start Guide](#)

DIMENSIONS



HEADQUARTER:

Wireless Instruments sp. z o.o.
ul. Kościuszki 27
52-116 Iwiny
POLAND
sales@quwireless.com
tel 1. +48 601 366 369
tel 2. +48 577 667 761
www.quwireless.com