



Ruijie RG-AP840-I Series Access Points

Hardware Installation and Reference Guide V1.00

Copyright statement

Ruijie Networks©2020

Ruijie Networks reserves all copyrights of this document. Any reproduction, excerption, backup, modification, transmission, translation or commercial use of this document or any portion of this document, in any form or by any means, without the prior written consent of Ruijie Networks is prohibited.

Exemption statement

This document is provided “as is”. The contents of this document are subject to change without any notice. Please obtain the latest information through the Ruijie Networks website. Ruijie Networks endeavors to ensure content accuracy and will not shoulder any responsibility for losses and damages caused due to content omissions, inaccuracies or errors.

Preface

Thank you for using our products. This manual will guide you through the installation of the access point.

Scope

It is intended for the users who have some experience in installing and maintaining network hardware. At the same time, it is assumed that the users are already familiar with the related terms and concepts.

Obtaining Technical Assistance

- Ruijie Networks Website: <https://www.ruijienetworks.com/>
- Technical Support Website: <https://ruijienetworks.com/support>
- Case Portal: <https://caseportal.ruijienetworks.com>
- Community: <https://community.ruijienetworks.com>
- Technical Support Email: service_rj@ruijienetworks.com
- Skype: [service_rj@ruijienetworks.com](https://www.skype.com/people/service_rj@ruijienetworks.com)

Related Documents

Documents	Description
Configuration Guide	Describes network protocols and related mechanisms that supported by the product, with configuration examples.
Command Reference	Describes the related configuration commands, including command modes, parameter descriptions, usage guides, and related examples.

Documentation Conventions

The symbols used in this document are described as below:



This symbol brings your attention to some helpful suggestions and references.



This symbol means that you must be extremely careful not to do some things that may damage the device or cause data loss.

1 Product Overview


The RG-AP840-I AP, supporting 802.11ax, features a dual-radio, dual-band design. The two radios deliver up to 400Mbps+4.8Gbps access rates. It supports security, radio frequency (RF) control, mobile access, Quality of Service (QoS) and seamless roaming. In coordination with the Ruijie RG-WS Wireless Controller Series, this product can easily deliver wireless data forwarding, high performance security, and access control.

In addition, the RG-AP840-I AP can concurrently operate in 802.11ax, 802.11ac and 802.11n modes. The AP can be mounted on a ceiling or wall. The product supports both local power supply and PoE to adapt to challenges in a wide variety of deployment scenarios, including large-scaled campuses, enterprises, and WiFi hotspots.

1.1 Technical Specifications

Table 1-1 RG-AP840-I Technical Specifications

Model	RG-AP840-I
RF	2.4G: 2×2 MIMO 5G: 4×4 MU-MIMO
Transmission Protocol	Dual-band and dual-radio frequency cards support concurrent 802.11ax and 802.11a/b/g/n/ac.
Operating Bands	802.11b/g/n/ac: 2.4 GHz to 2.483 GHz 802.11a/n/ac/ax: 5.15 GHz to 5.35 GHz, 5.47 GHz to 5.725 GHz, 5.725 GHz to 5.85 GHz (Country-Specific)
Antenna	Built-in smart antenna
Spatial Streams	2.4G: 2 streams 5G: 4 streams
Max Throughput	2.4G: up to 400 Mbps 5G: up to 4.8 Gbps Up to 5.2 Gbps per AP
Modulation	OFDM: BPSK@6/9 Mbps, QPSK@12/18 Mbps, 16-QAM@24 Mbps, 64-QAM@48/54 Mbps DSSS: DBPSK@1Mbps, DQPSK@2Mbps, and CCK@5.5/11Mbps MIMO-OFDM: BPSK, QPSK, 16QAM, 64QAM, 256QAM and 1024QAM OFDMA
Receive Sensitivity	11b: -96 dBm(1 Mbps), -93 dBm(5 Mbps), -89 dBm(11 Mbps) 11a/g: -91 dBm (6 Mbps), -85 dBm (24 Mbps), -80 dBm (36 Mbps), -74 dBm (54 Mbps) 11n: -90 dBm@MCS0, -70 dBm@MCS7, -89 dBm@MCS8, -68 dBm@MCS15 11ac: HT20: -88 dBm (MCS0), -63 dBm (MCS9) 11ac: HT40: -85 dBm (MCS0), -60 dBm (MCS9) 11ac: HT80: -82 dBm (MCS0), -57 dBm (MCS9) 11ax: HE80: -82 dBm (MCS0), -57 dBm (MCS9), -52 dBm (MCS11)
Transmit Power	≤100 mw (20 dBm)
Transmit Power	1 dBm

Adjustment	
Dimensions (W x D x H)	220 mm x 220 mm x 56.34 mm (8.7 in. x 8.7 in. x 2.2 in.)
Weight	Host ≤ 1.3 kg (2.87 lbs); Bracket ≤ 0.2 kg (0.44 lbs)
Service Ports	Three 10/100/1000BASE-T Ethernet uplink ports: LAN1 port is PoE/PoE+-capable LAN3 port supports power supply to Ruijie's IoT modules with a maximum output of 12 V and 3 W One USB2.0 port (5 V/0.5 A)
Management Ports	One Console port supports rates of 9600 bps, 57600 bps and 115200 bps
Reset Button	Support
Anti-theft Locks	Support
LED	1 LED (red, green, blue and orange light for solid mode or blinking mode and the indicator can be switched to silent mode)
Power Supply	Adapter: DC 48 V/0.6 A (optional) PoE: IEEE 802.3af/802.3at-compliant (compatible). To ensure best performance, it is recommended to adopt 802.3at PoE power supply.  If 802.3af is used, the AP comes up normally, and its operation in 2.4G and iBeacon is not affected. But 5G works only in 2x2 streams, and LAN 3 and USB ports cannot provide power to other devices.
Power Consumption	< 25.5W
Bluetooth	Bluetooth 4.0 (BLE) and Apple iBeacon protocol are supported. Support can also be expanded to Bluetooth applications, such as Shake and locating.
Temperature	Operating: -10°C to 50°C (14°F to 122°F) Storage: -40°C to 70°C (-40°F to 158°F)
Humidity	Operating: 5% to 95% RH (non-condensing) Storage: 5% to 95% RH (non-condensing)
Installation	Ceiling/wall mount
IP Rating	IP41
Safety Standards	GB4943-2011 IEC60950-1 IEC60825-1
EMC Standards	EN300386 GB19286-2003 GB17618-1998 GB 9254 EN 301 489 EN 55032 EN 61000 EN 55035
Mechanical Vibration	NEBS GR-63-CORE_Issue3_2006

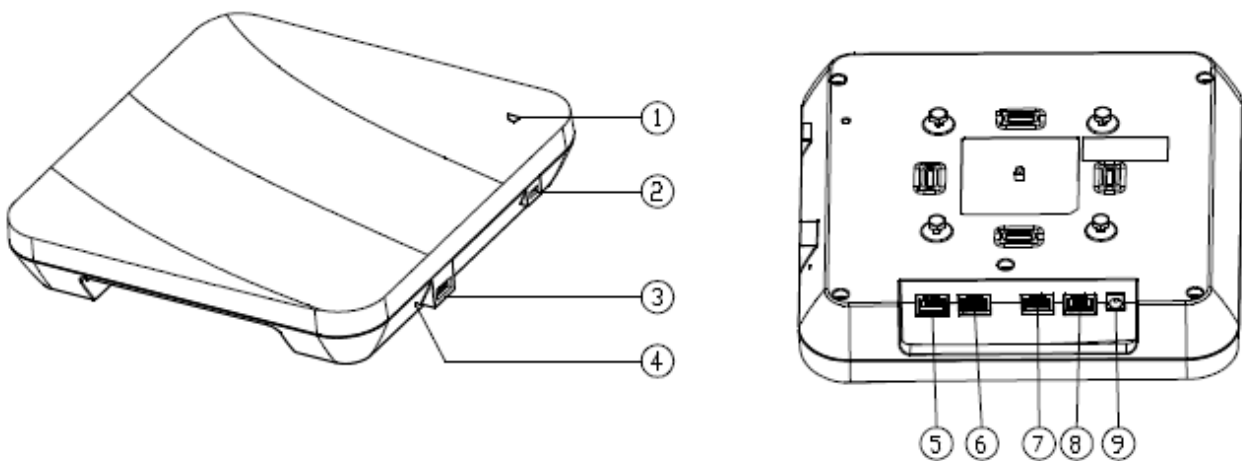
Radio	China Radio Transmission Equipment Type Approval Certificate
	EN300 328
	EN301 893
MTBF	> 200,000 H

i Weight refers to the weight of host and bracket.

1.2 Product Image

The AP provides three 10/100/1000Base-T Ethernet ports, one Console port, one power port for an external power supply, one USB port and one reset button.

Figure 1-1 Appearance of the RG-AP840-I



Note	
1. LED Indicator	6. LAN3 port/loT port
2. Laptop lock	7. LAN2 port
3. USB port	8. LAN2/PoE port
4. Reset button	9. Port for external power supply
5. Console Port	

⚠ The PoE-enabled LAN3 port is accessible only to Ruijie's IoT modules. Connecting other modules may cause damage. (By default, the LAN3 port does not supply power.)

1.3 LED Indicators

Fit AP

State	Frequency	Meaning
-------	-----------	---------


Off	N/A	The AP is NOT receiving power. This mode can be disabled using software.
Blinking green	3Hz	uBoot program initialization in progress.
Solid green	N/A	Main program initialization in progress.
Blinking red	3Hz	Initialization is complete, but LAN1 and LAN2 ports are not connected.
Solid orange	N/A	Initialization is complete, and the AP is establishing a CAPWAP connection with a wireless controller.
Blinking orange	3Hz	Firmware upgrade in progress. Do not power off.
Solid blue	N/A	Normal operation and normal CAPWAP connection; no wireless clients are associated with the AP.
Blinking blue	3Hz	Normal operation, and normal CAPWAP connection; at least one wireless client is associated with the AP.
Double blinking red	3Hz (on and off for 2 cycles alternately)	Locating AP
Reset button	Pressed for less than 2s	Restarts the AP.
	Pressed for more than 3s	Restores the factory default settings.

Fat AP

State	Frequency	Meaning
Off	N/A	The AP is powered off or in Silent mode. This mode can be disabled by software.
Blinking green	3Hz	uBoot program initialization in progress.
Solid green	N/A	Main program initialization in progress.
Blinking red	3Hz	Initialization is complete, but LAN1 and LAN2 ports are not connected.
Solid blue	N/A	Normal operation; no wireless clients are associated with the AP.
Blinking blue	3Hz	Normal operation; at least one wireless client is associated with the AP.
Reset button	Pressed for less than 2s	Restarts the AP.
	Pressed for more than 3s	Restores the factory default settings.


1.4 Power Sources

The AP can be powered either with a power adapter or through Power over Ethernet (PoE).



 To use a PoE+ device, make sure it supports the IEEE 802.3at standard.

1.5 Cooling Solution

The AP features a fanless design.

 Leave sufficient space surrounding the AP when installing the AP to permit proper airflow for ventilation.

2 Preparing for Installation

-
-  To prevent device damage and physical injury, please read the safety recommendations carefully as described in this chapter.
 -  Recommendations do not cover all possible hazardous situations.
-

2.1 Installation

The AP must be installed indoors. To ensure normal operation, the installation site must meet the following requirements.

- Install the AP in a well-ventilated environment. If it is installed in a closed room, make sure there is a good cooling system.
- Make sure the site is sturdy enough to support the AP and its accessories.
- Make sure the site has enough space for installing the AP and leave sufficient room around the AP for ventilation.
- Do not expose the AP to high temperature, dust, or harmful gases.
- Do not install the AP in an area prone to fire or explosions.
- Keep the AP away from EMI sources such as large radar stations, radio stations, and substations.
- Do not subject the AP to unstable voltage, vibration, and noises.
- Keep the AP at least 500 meters away from the ocean and do not face it towards the sea breeze.
- The installation site should be free from water including possible flooding, seepage, dripping, or condensation.
- The installation site should be selected according to network planning and communications equipment features, and considerations such as climate, hydrology, geology, earthquake, electrical power, and transportation.

 Please follow the correct method described in the installation guide to install and remove the device.


2.2 Movement


- Avoid frequently moving the device.
- Turn off all power supplies and unplug all power cables before you remove the device.

2.3 EMI

- Please observe local regulations and specifications when performing electrical operations. Relevant operators must be qualified.
- Carefully check for any potential hazards in the working area such as damp/wet ground or floors.
- Find the location of the emergency power supply switch in the room before installation. Cut off the power supply first in case of an accident.
- Be sure to make a careful check before shutting down the power supply.

- Do not place the device in a damp/wet location. Do not let any liquid enter the chassis.
- Keep the AP far away from grounding or lightning protection devices for power equipment.
- Keep the AP away from radio stations, radar stations, high-frequency high-current devices, and microwave ovens.

 Any nonstandard and inaccurate electrical operation can cause an accident such as fire or electric shock, thus causing severe even fatal damages to humans and devices.

 Direct or indirect contact with a wet object (or your finger) on the high voltage and power line can be fatal.

2.4 Ventilation

For proper ventilation, leave sufficient space around the AP.

2.5 Temperature and Humidity

To ensure the normal operation and equipment service life, maintain appropriate temperature and humidity levels in the equipment room. See Table 2-1. Improper room temperature and humidity can cause damage to the device.

- High relative humidity may affect insulation materials, resulting in poor insulation and even electrical leakage. Sometimes it may lead to changes in the mechanical properties of materials and corrosion of metal parts.
- Low relative humidity can dry and shrink insulation sheets and cause static electricity that can damage the circuitry.
- High temperatures greatly reduce device reliability and shorten service life.

Table 2-1 Required Temperature and Humidity for the RG-AP840-I

Temperature	Relative Humidity
-10°C to 50°C (14°F to 122°F)	5% to 95%

2.6 Cleanness

Dust poses a serious threat to device operation. Dust on the surface of the device can be absorbed onto metal contact points by static electricity causing poor contact. Electrostatic absorption of dust occurs more easily when the relative humidity is low, and might shorten the equipment service life and cause communication failures. Table 2-2 shows the maximum concentration and diameter of dust allowed in the equipment room.

Table 2-2

Maximum diameter (μm)	0.5	1	3	5
Maximum concentration (Particles/m ³)	1.4×10 ⁷	7×10 ⁵	2.4×10 ⁵	1.3×10 ⁵

The amount of salt, acids and sulfides in the air are also strictly limited for the equipment room. These substances can accelerate metal corrosion and aging of some parts. Table 2-3 describes the limits of some hazardous gases such as SO₂, H₂S, NO₂ and Cl₂ in the equipment room.

Table 2-3

Gas	Average (mg/m ³)	Maximum (mg/m ³)
-----	------------------------------	------------------------------

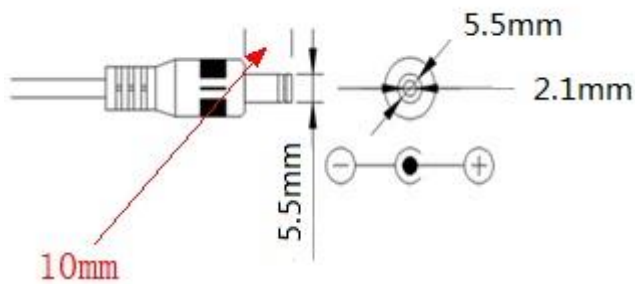
SO ₂	0.2	1.5
H ₂ S	0.006	0.03
NO ₂	0.04	0.15
NH ₃	0.05	0.15
Cl ₂	0.01	0.3

2.7 Power Supply

- DC power adapter:
Input voltage: 48V
Rated current: 0.6A
- PoE+ injector: IEEE 802.3at compliant

Technical Specifications of the DC Connector

Inner Diameter	Outer Diameter	Insertion Depth	Polarity
2.1mm	5.5mm	9.3mm	Inner pole: positive Outer pole: negative



- i** The DC input power should be greater than the power actually consumed by the system. The input power for the RG-AP840-I should not be lower than 25.5W.
- i** Use DC power adapters with specifications recommended by Ruijie.
- !** Please use Ruijie certified PoE injectors.

2.8 Installation Tools


Common Tools	Phillips (crosshead) screwdriver, copper and fiber cables, bolts, diagonal pliers, cable ties
Special Tools	Wire stripper, crimping pliers, RJ-45 crimping pliers, punch down tool
Meter	Multimeter, bit error rate tester (BERT)

- i** The tools listed above are customer supplied.

2.9 Unpacking the Access Point

Package Contents

Items	Verify that all parts are installed and debugged. Brackets Screws Mounting brackets Product quick installation guide Packing list
--------------	--

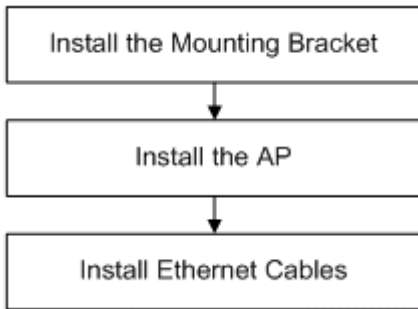
 The above listed items are for general situations, and contents may vary in the actual shipment. The purchasing order shall prevail in any case. Please check each item carefully according to the packing list or purchasing order. If any item is damaged or missing, notify your sales representative.

3 Installing the Access Point

The RG-AP840-I series must be fixed and installed indoors.

i Before installing the AP, make sure you have carefully read the requirements described in Chapter 2.

3.1 Installation Flowchart



3.2 Before You Begin

Before installing the AP, verify that:

- The installation site provides sufficient ventilation for the AP.
- The installation site meets temperature and humidity requirements.
- The installation site is equipped with a proper power supply.
- Network cables are in place.
- The installation site meets all described requirements.
- The custom AP meets customer requirements.

3.3 Precautions

To avoid damage to the AP, observe the following safety precautions:

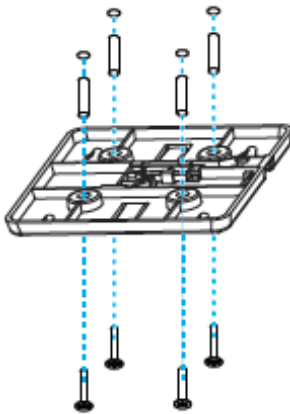
- Do not power on the device during installation.
- Install the device in a well-ventilated location.
- Do not subject the device to high temperatures.
- Keep away from high voltage cables.
- Install the device indoors.
- Do not expose the device in a thunderstorm or strong electric field.
- Keep the device clean and dust-free.

- Disconnect the device before cleaning it.
- Do not wipe the device with a damp cloth.
- Do not wash the device with liquid.
- Do not open the enclosure when the AP is working.
- Fasten the device tightly.

3.4 Installing the Access Point

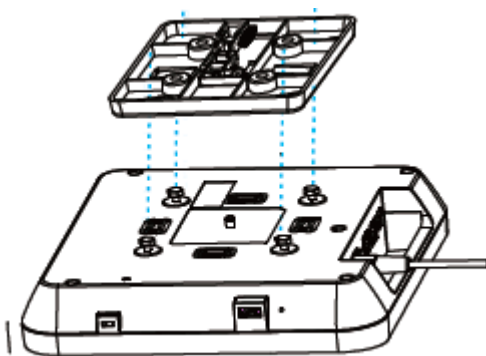
- Ceiling Mount
1. Drill four 6 mm (0.24 in.) diameter holes in the ceiling, 53 mm (2.09 in.) apart. Tap wall anchors into the holes, and drive screws through the mounting bracket into the anchors to secure the bracket, as shown in Figure 3-1.

Figure 3-1 Attaching the Mounting Bracket to the Ceiling



2. Align the square feet (on the rear of the AP) over the mounting holes on the bracket. See Figure 3-2.

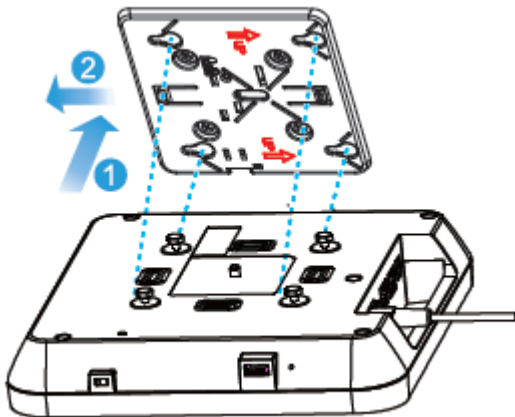
Figure 3-2 Aligning the Square Feet with the Mounting Holes



⚠ Install the Ethernet cables before mounting the AP on the bracket.

3. Slide the AP onto the bracket in the opposite direction of the arrow on the mounting bracket until it clicks into place, as shown in Figure 3-3.

Figure 3-3 Mounting the AP on the Bracket

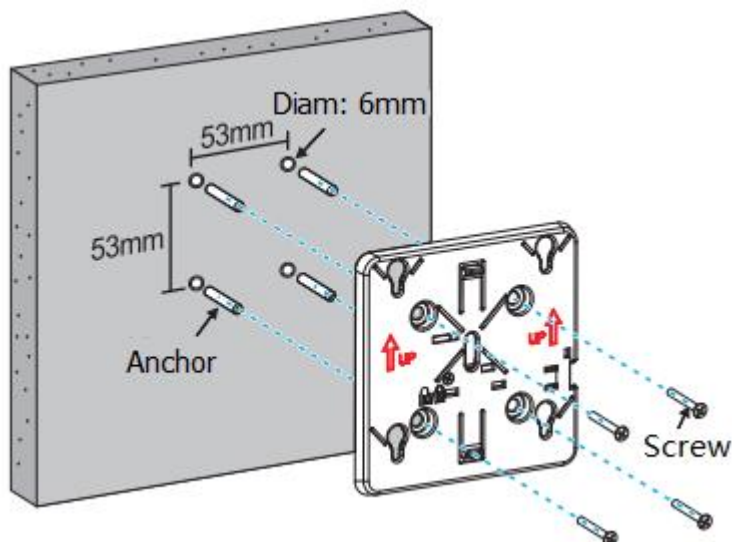


- ⚠ The AP can be installed in any of four directions on the mounting bracket depending on how you route the Ethernet cable.
- ⚠ The square feet should fit easily into the mounting slots. Do not forcibly push the AP into the slots.
- ⚠ After installation, verify that the AP is securely fastened.

- Wall Mount

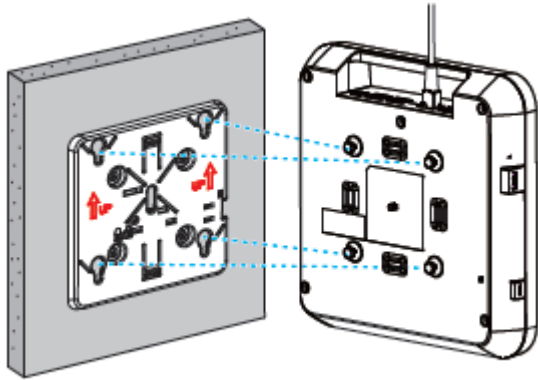
1. Drill four 6 mm (0.24 in.) diameter holes in the wall and 53 mm (2.09 in.) apart, with the arrow on the mounting bracket facing up. Tap wall anchors into the holes, and drive screws through the mounting bracket into the anchors to secure the bracket, as shown in Figure 3-4.

Figure 3-4 Attaching the Mounting Bracket to the Wall



2. Align the square feet on the rear of the AP with the mounting holes on the bracket, as shown in Figure 3-5.

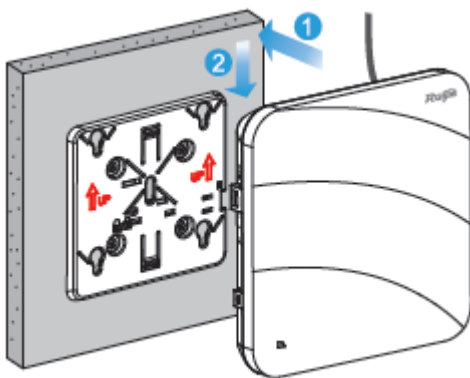
Figure 3-5 Aligning the Square Feet with the Mounting Holes



! Install the Ethernet cables before mounting the AP on the bracket.

3. Slide the AP into the holes in the opposite direction of the arrows on the mounting bracket until it clicks into place, as shown in Figure 3-6.

Figure 3-6 Mounting the AP on the Bracket



! When mounting the AP on the wall, keep the Ruijie logo pointed upwards.

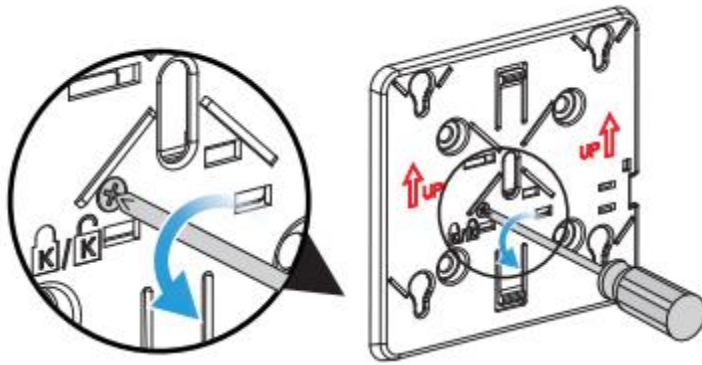
! The square feet should fit easily into the mounting slots. Do not forcibly push the AP into the slots.

! After installation, verify that the AP is securely fastened.

3.5 (Optional) Securing the Access Point

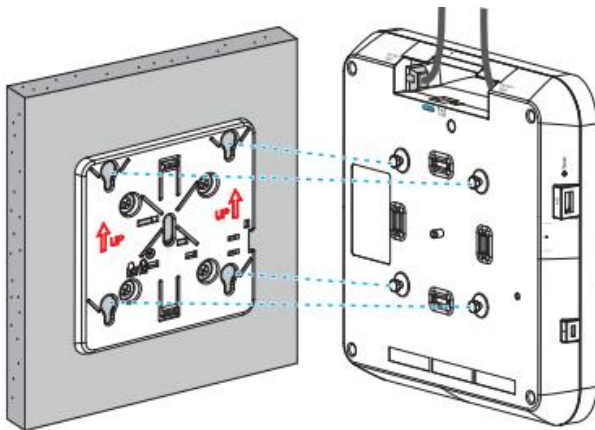
1. Loosen the screw on the mounting bracket and engage the hidden lock.

Figure 3-7 Engaging the Hidden Lock



- Align the square feet on the rear of the AP over the mounting holes on the bracket, slide the AP in the opposite direction of the arrows on the mounting bracket until it clicks into place.

Figure 3-8 Mounting the AP on the Bracket

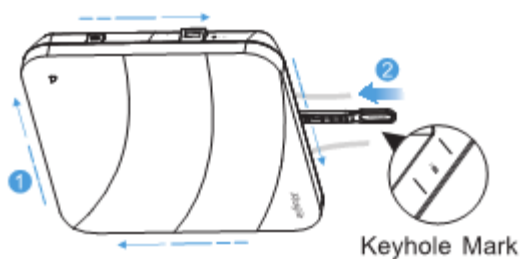


! Before mounting the AP on the bracket, you must first install the Ethernet cables.

3.6 Removing the Access Point

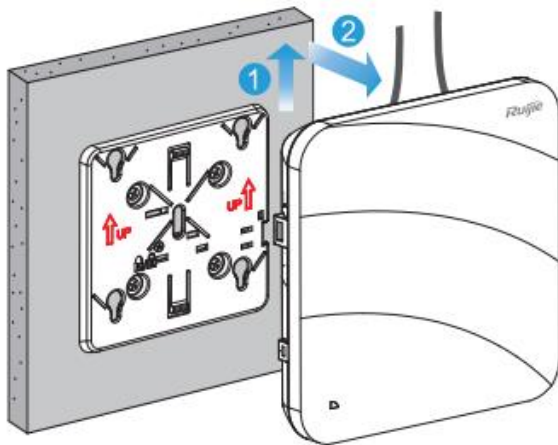
- If the hidden lock is enabled, attach the front part of the key to the edge of the mounting bracket (keep the Ruijie key logo facing the top panel of the AP). Slide the key along with the four edges of the mounting bracket, and attempt to insert the key into the keyhole. It can only be inserted into one marked keyhole.

Figure 3-9 Inserting the Key for Unlocking



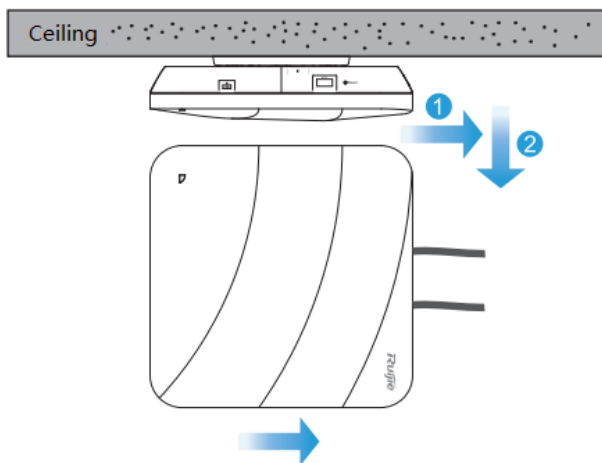
- If the AP is installed on the wall, hold the AP in your hands and push it upward and away from the bracket in the LAN port direction.

Figure 3-10 Removing the Wall Mount AP



3. If the AP is installed on the ceiling, hold the AP in your hands and slide it sideways. Attempt to slide it in four directions (the AP can only slide out in one direction).

Figure 3-11 Removing the Ceiling Mount AP



3.7 Connecting Cables

Connect the UTP/STP to the LAN1/PoE port on the AP. See Appendix A for the supported wiring for twisted pairs.

- ⚠ By default, the baud rate is set to 9600, data bit 8, parity none, stop bits 1 and flow control none on the AP console port. The console port is used only when you want to configure the AP manually.
- ⚠ Avoid bending the cable in a small radius close to the connector.
- ⚠ Ruijie recommends that you do not use Ethernet cables with protective sleeves as they could make installation of Ethernet cables more difficult.

3.8 Bundling Cables

Precautions

- Make sure the cable bundles are neat and orderly.
- Bend twisted pairs naturally or in a large radius close to the connector.
- Do not over tighten a cable bundle as it may reduce cable life and performance.

Bundling Steps

1. Bundle the drop UTP/STP cables and route them to the LAN1/PoE port.
2. Attach the cables in the cable tray of the rack.
3. Extend the cables under the AP and run in a straight line.

3.9 Checking after Installation

Checking the Cabinet

- Make sure the external power supply matches the patch panel specifications for the cabinet.
- After installation, make sure that the front and rear cabinet doors easily close.
- Make sure the cabinet is stable and level.
- Make sure the device and all cables are securely fastened in the rack.

Checking Cable Connection

- Make sure the UTP/STP cable matches the interface type.
- Make sure cables are properly bundled.

Checking the Power Supply

- Make sure all power cables are properly connected and safe.
- Make sure the AP is operational after powering on.

4 System Debugging

4.1 Setting up a Debugging Environment

Use a power adapter or PoE to power the AP.

Setting up the Environment

- Verify that the AP is properly connected to the power source.
- Connect the AP to a wireless controller through a twisted pair cable.
- When the AP is connected to a PC for debugging, verify that the PC and PoE switch are properly grounded.

4.2 Powering up the AP

4.2.1.1 Checking before power-up

- Verify that the power supply is properly connected.
- Verify that the input voltage matches the specification of the AP.

4.2.1.2 Checking after power-up (recommended)

After powering up, it is recommended that you check the following to ensure normal operation of the AP.

- Check if any message is displayed on the Web-based configuration interface for the wireless controller.
- Check if the LED works normally.

4.3 Resetting the System

The reset button is placed in the hole beside the USB port. Insert into the hole an iron stick with a diameter less than 1mm. After the button clicks, keep the stick in the same position for five more seconds before releasing it, and factory default settings are restored.

5 Monitoring and Maintenance


5.1 Monitoring

LED

You can observe the LED to monitor the AP in operation.

CLI Commands

Run related commands on the command line interface (CLI) on the wireless controller to remotely monitor the configurations and status of the AP.

 You can login in to the AP via Telnet and use monitoring related commands to maintain the AP.

5.1.1 Remote Maintenance

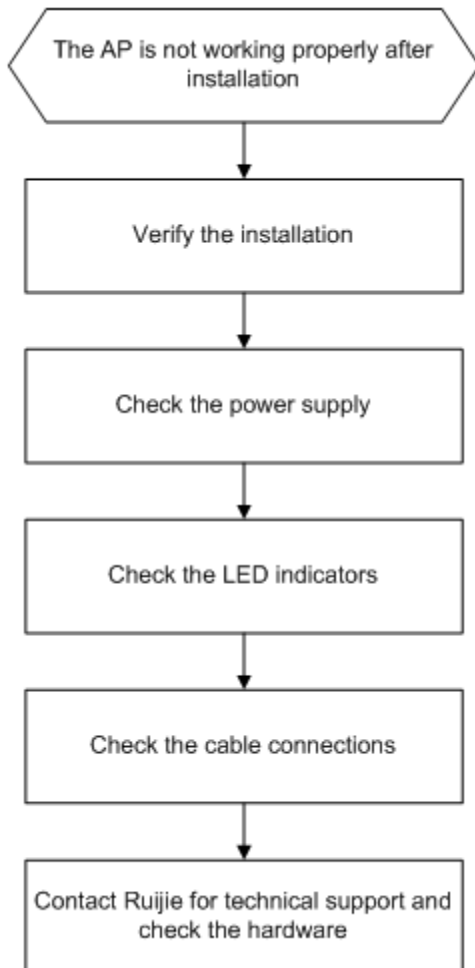
- If the AP operates as a Fat AP, you can login in to the AP remotely for maintenance.
- If the AP operates as a Fit AP, you can use the wireless controller to centrally manage and maintain the AP.

5.1.2 Hardware Maintenance

If the hardware is faulty, please contact our Technical Assistance Center (TAC) for help.

6 Troubleshooting

6.1 Troubleshooting Flowchart



6.2 Troubleshooting

LED does not light up after the AP is powered on

- 1) If you use PoE power supply, verify that the power source is IEEE 802.11af compliant; then verify that the cable is properly connected.
- 2) If you use a power adapter, verify that the power adapter is connected to an active power outlet; then verify that the power adapter works properly.

Ethernet port is not working after the Ethernet port is connected

Verify that the device at the other end of the Ethernet cable is working properly. And then verify that the Ethernet cable is capable of providing the required data rate and is properly connected.

Wireless client cannot find the AP

- 1) First, follow the two steps above.
- 2) Verify that the AP is correctly configured.
- 3) Adjust the angle of the antennas.
- 4) Move the client device to adjust the distance between the client and the AP.

LED keeps blinking red

If the LED blinking red for a long time, this indicates that the Ethernet port is not connected. Verify the Ethernet connection.

LED keeps blinking green

The AP performs initialization after powering on. During this period, the LED keeps blinking green and does not turn solid until initialization is completed. **Note:** If the blinking persists for an hour, it indicates that device initialization has failed and the device is faulty.

LED keeps blinking orange (Fit mode)

Sometimes the AP performs a firmware upgrade after it is powered on. During this period, the LED keeps blinking orange and does not turn solid until the upgrade is completed. **Note:** Do not plug or unplug the power cord when the Status LED is blinking as firmware updates takes time. If the blinking persists for 10 minutes, it indicates that the device has failed to complete the firmware upgrade and is faulty.

LED does not turn solid blue or blinking blue

After the system starts and the LED does not turn solid blue or blinking blue, it is probably because the AP has not established a proper CAPWAP connection with the wireless controller. Verify that the wireless controller is operational and properly configured.

Appendix A Connectors and Media

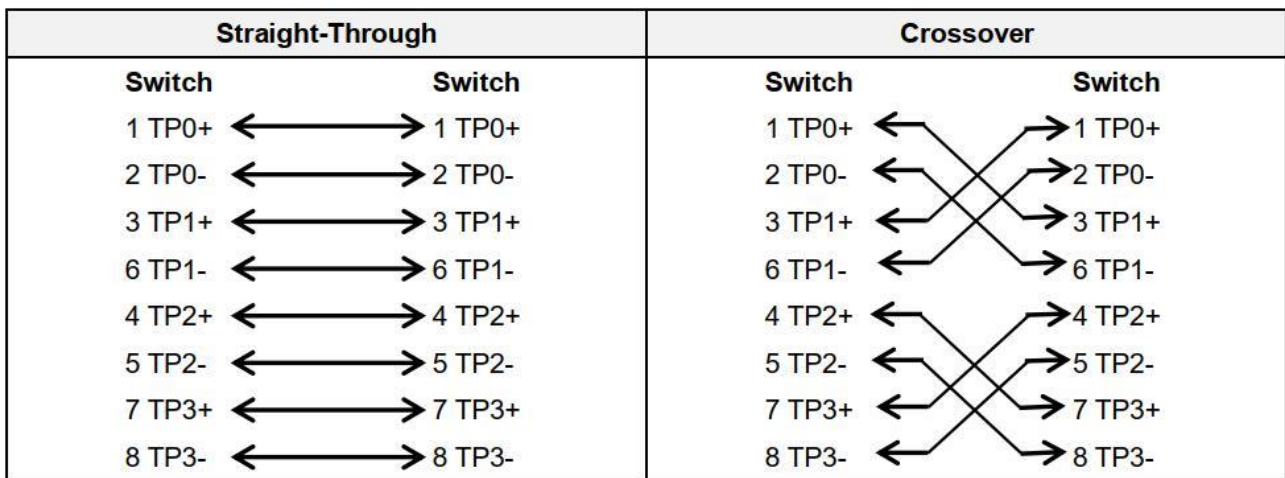
1000BASE-T/100BASE-TX/10BASE-T

The 1000BASE-T/100BASE-TX/10BASE-T is a 10/100/1000 Mbps auto-negotiation port that supports auto MDI/MDIX.

Compliant with IEEE 802.3ab, 1000BASE-T requires Category 5e 100-ohm UTP or STP (STP is recommended) with a maximum distance of 100 meters (328 feet).

1000BASE-T requires all four pairs of wires be connected for data transmission, as shown in Figure A-1.

Figure A-1 1000BASE-T Connection



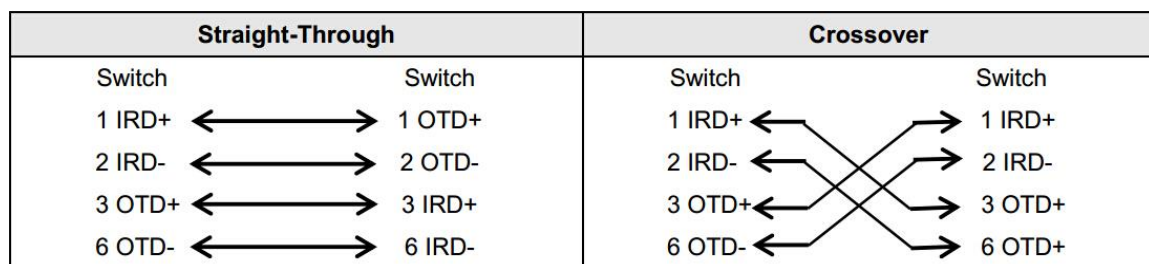
10BASE-T uses Category 3, 4, 5 100-ohm UTP/STP and 1000BASE-T uses Category 5 100-ohm UTP/STP for connections. Both support a maximum length of 100 meters. Table A-1 shows 100BASE-TX/10BASE-T pin assignments.

Table A-1 100BASE-TX/10BASE-T Pin Assignments

Pin	Socket	Plug
1	Input Receive Data+	Output Transmit Data+
2	Input Receive Data-	Output Transmit Data-
3	Output Transmit Data+	Input Receive Data+
6	Output Transmit Data-	Input Receive Data-
4,5,7,8	Not used	Not used

Figure A-2 shows wiring of straight-through and crossover cables for 100BASE-TX/10BASE-T.

Figure A-2 100BASE-TX/10BASE-T Connection



Appendix B Cabling Recommendations

During installation, route cable bundles upward or downward along the sides of the rack depending on the actual situation in the equipment room. All cable connectors should be placed at the bottom of the cabinet rather than be exposed outside of the cabinet. Power cords should be routed upward or downward beside the cabinet close to the location of the DC power distribution cabinet, AC power outlet, or lightning protection box.

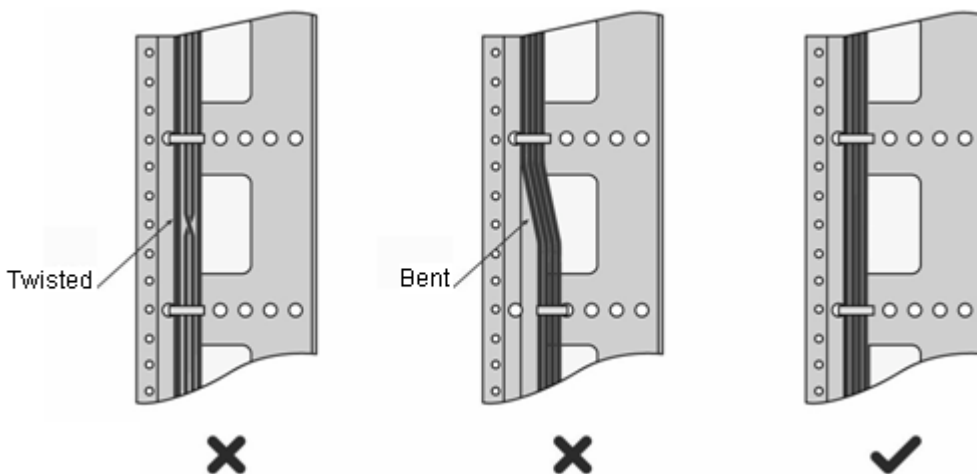
Required Minimum Cable Bend Radius

- The minimum bend radius of a power, communication or flat cable should be 5 times the overall diameter of the cable. If the cable is constantly bent, plugged or unplugged, the bend radius should be 7 times the overall diameter.
- The minimum bend radius of a coaxial cable should be 7 times the overall diameter of the cable. If the cable is constantly bent, plugged or unplugged, the bend radius should be 10 times the overall diameter.
- The minimum bend radius of a high-speed cable, such as an SFP+ cable should be 5 times the overall diameter of the cable. If the cable is constantly bent, plugged or unplugged, the bend radius should be 10 times the overall diameter.

Precautions for Cable Bundling

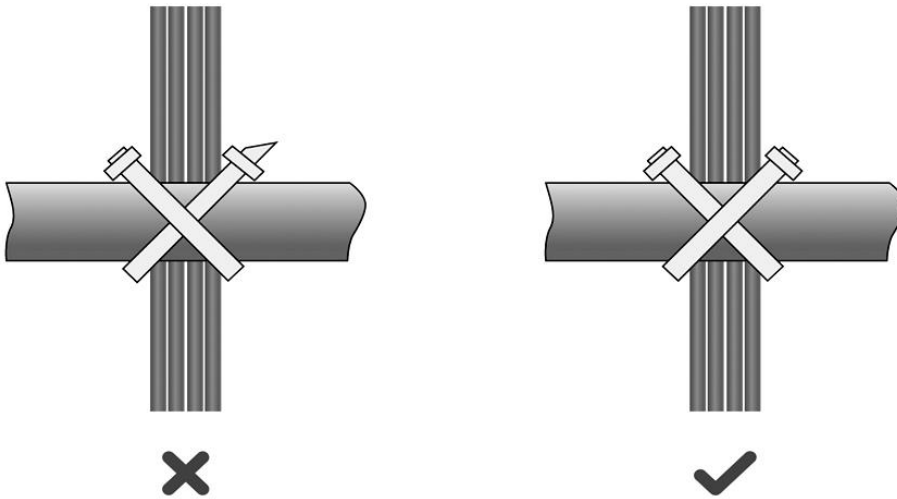
- Before bundling cables, correctly mark labels and stick the labels to cables where appropriate.
- Cables should be neatly and properly bundled, as shown in Figure B-1.

Figure B-1 Bundling Cables



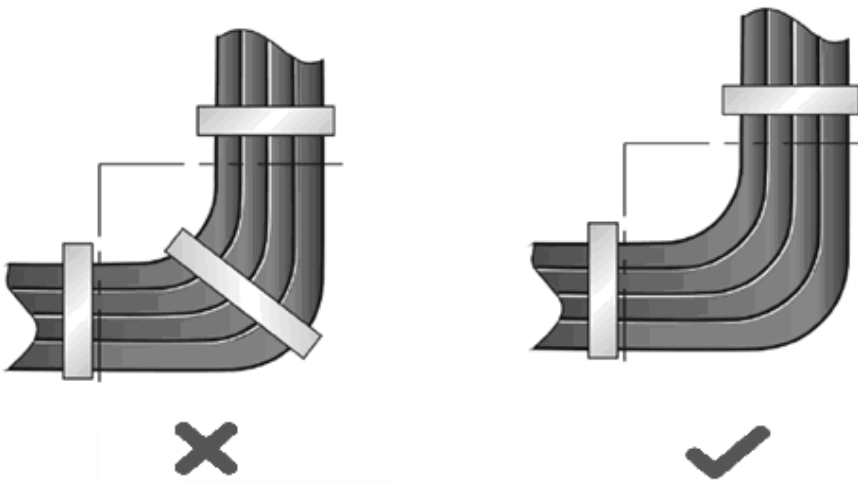
- Route and bundle power, signal, ground cables separately. When the cables are close to each other, cross them. When power cables run parallel to signal cables, the distance between them must be greater than 30 mm.
- All cable trays and their accessories shall be smooth and free from sharp edges.
- Holes in metal, through which cables pass shall have smooth, well-rounded surfaces or be protected with insulating bushings.
- Use proper cable ties to bind cables together. Do not tie two or more cable ties to bind cables.
- Cut off excess cable tie cleanly with no sharp edges after bundling cables, as shown in Figure B-2.

Figure B-2 Cutting off Excess Cable Tie



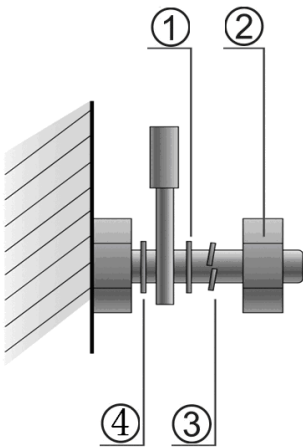
- If cables are to be bent, bind them first but do not tie cable ties within the bend to avoid stress on the cables, which may otherwise cause the wires inside to break, as shown in Figure B-3.

Figure B-3 Do Not Tie Cable Ties within the Bend



- Wrap up unnecessary or excess cables and bind them to the appropriate rack position, where device operation is not affected and no damages occur to the device and cables during debugging.
- Do not bind power cords to the rails for moving parts.
- Leave a certain length of the cable connecting moving parts, such as the ground wire of the cabinet door, to avoid stress on the cable; When moving parts are in place, ensure the excess cable length shall not contact heat sources, sharp corners or edges. If heat sources are unavoidable, use high-temperature cables instead.
- When using screws to fasten cable lugs, the bolts or nuts shall be tightened and prevented from loosening, as shown in Figure B-4.

Figure B-4 Fastening Cable Lugs



Note	1. Flat washer	3. Spring washer
	2. Nut	4. Flat washer

- When using a stiff cable, fix it near the cable lug to avoid stress on the lug and cable.
- Do not use self-tapping screws to fasten terminals.
- Bundle cables of the same type and running in the same direction into groups. Keep cables clean and straight.
- Cables shall be tied according to the following table.

Diameter of Cable Bundle (mm)	Space between Bundles (mm)
10	80 to 150
10 to 30	150 to 200
30	200 to 300

- Do not tie knots for cables or cable bundles.
- The metal parts of the cold-pressed terminal blocks, such as air circuit breakers, shall not be exposed outside of the blocks.