

MiMo Directional Antenna

WMM8G-7-38

PANORAMA ANTENNAS



- Provides 2x2 MiMo antenna system for 4G/5G
- Two wideband elements with medium gain
- Durable housing for external or internal use
- Suitable for mast, wall and desk mounting

The WMM8G antenna provides an innovative and future proof solution for 3G/4G and 3.4-3.8GHz 5G networks. Incorporating two separately fed, ultra wideband elements in a single housing, it provides a client side 2x2 MiMo antenna system for the networks of today and tomorrow. With between 6-9dBi gain in the range 698-3800MHz, the WMM8G gives great performance, whilst maintaining a wide beam pattern which is ideal for metro and urban areas.

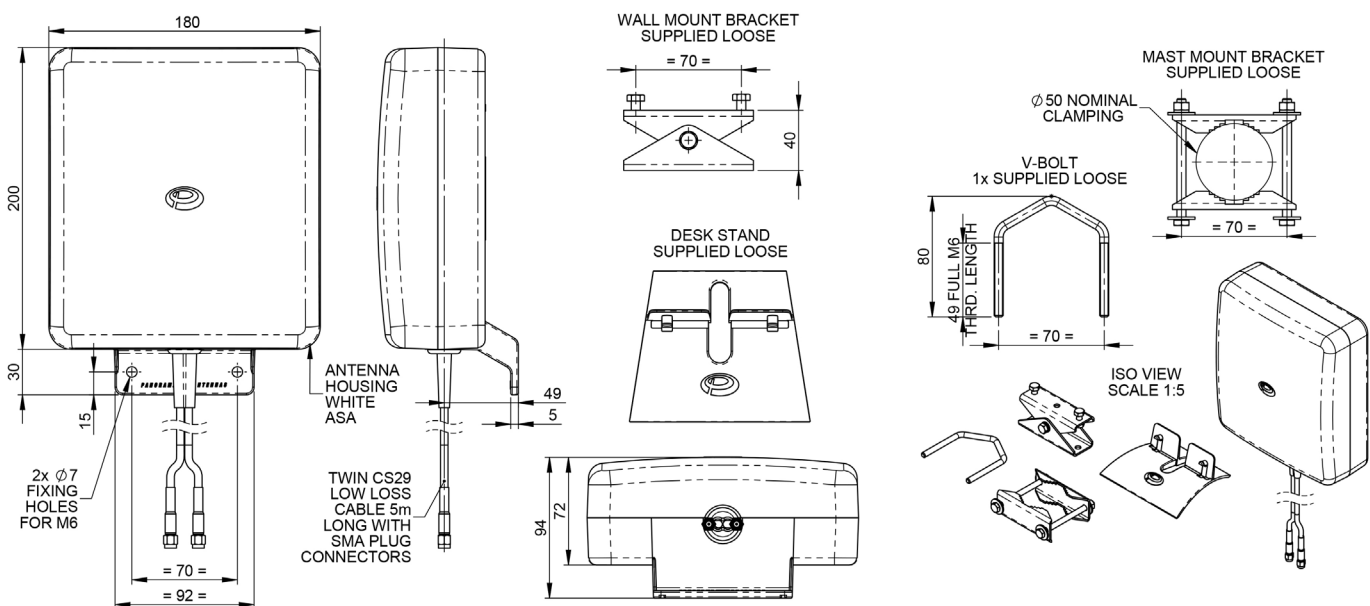
The rugged, weatherproof housing is designed for wall or mast mounting and hardware is provided. A desk stand is also included to enable the antenna to be positioned on a window sill if preferred.

The antenna is supplied with integral "twinned" CS29 coaxial cable. WMM8G-7-38-5SP version has 5m length, fitted with sma plug connectors for a simple 'plug & play' installation. WMM8G-7-38-03NJ version has 30cm length, fitted with N socket connectors, which enables use of lower loss cable types for longer runs.

The WMM8G is a cost effective value added product for network operators and service providers ensuring a stable network connection with improved data rates for subscribers, improving satisfaction and retention.

Technical Drawing

WMM8G-7-38-5SP Shown



MiMo Directional Antenna

WMM8G-7-38

PANORAMA ANTENNAS

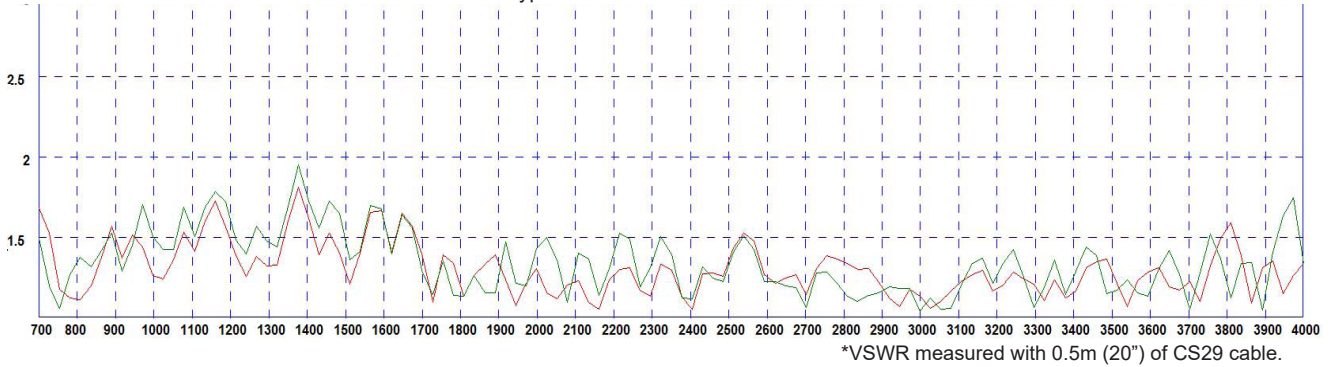
Product Data

Part No.		
	WMM8G-7-38-5SP	WMM8G-7-38-03NJ
Electrical Data		
Frequency Range (MHz)	Antenna 1	698-960/1710-2700/3400-3800
	Antenna 2	698-960/1710-2700/3400-3800
Operational bands	2G / 3G / 4G / 5G	
Radiation pattern	Directional	
Nominal Polarisation	+/- 45deg Vertical	
Peak Gain (excl cable loss)+	698-960 MHz	6dBi
	1710-2170 MHz	9dBi
	2396-2700 MHz	9dBi
	3400-3800MHz	9dBi
Efficiency - excluding cable loss (all bands)	> 60%	
Correlation co-efficient (all bands)	< 0.1	
Max input power (W)	20 Watts	
Nominal Impedance	50Ω	
Mechanical Data		
Dimensions (mm)	Height	230 (9")
	Width	180 (7.1")
	Depth	94 (3.7")
Operating temp (°C)	-45° / +80°C (-49° / 176°F)	
Material	U.V. stable, impact resistant ASA	
Colour	RAL9010 (Pure White)	
Weight (g)	955	
Ingress Protection	IP 65	
Mounting Data		
Fixing	Wall mount / mast mount / desk mount	
Mounting bracket material	Stainless steel / Aluminium	
Pole diameter (mm)	20-50 / (0.78 - 1.96")	
Cable Data		
Type	2 x CS29	2 x CS29
Diameter (mm)	5 (0.2")	5 (0.2")
Length (m)	5 (16')	0.3 (12")
Termination	2 x SMA (m)	2 x N(f)

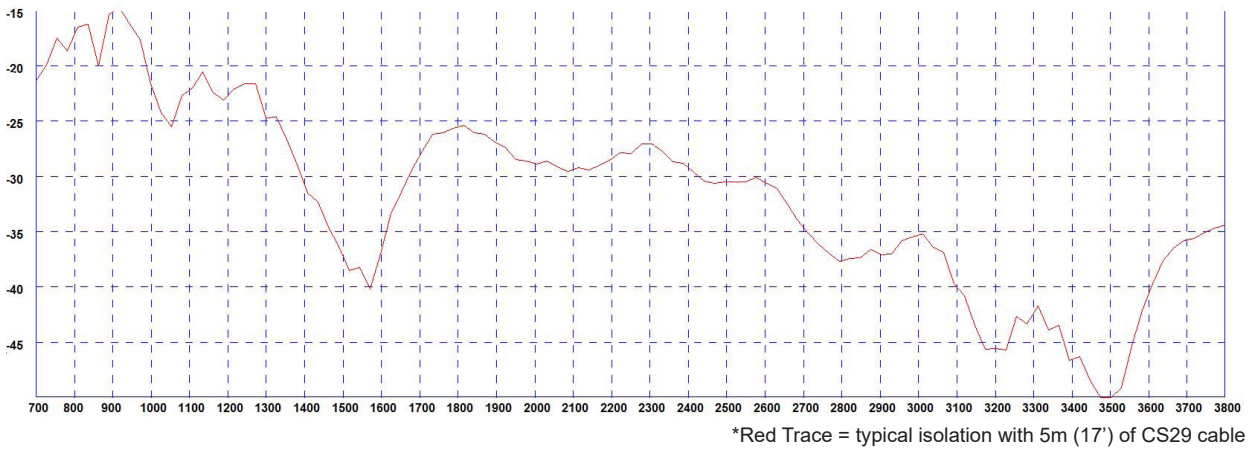
+ Swept peak gain simulated in CST Microwave studio for each element excluding cable loss

Electrical Data - Cell

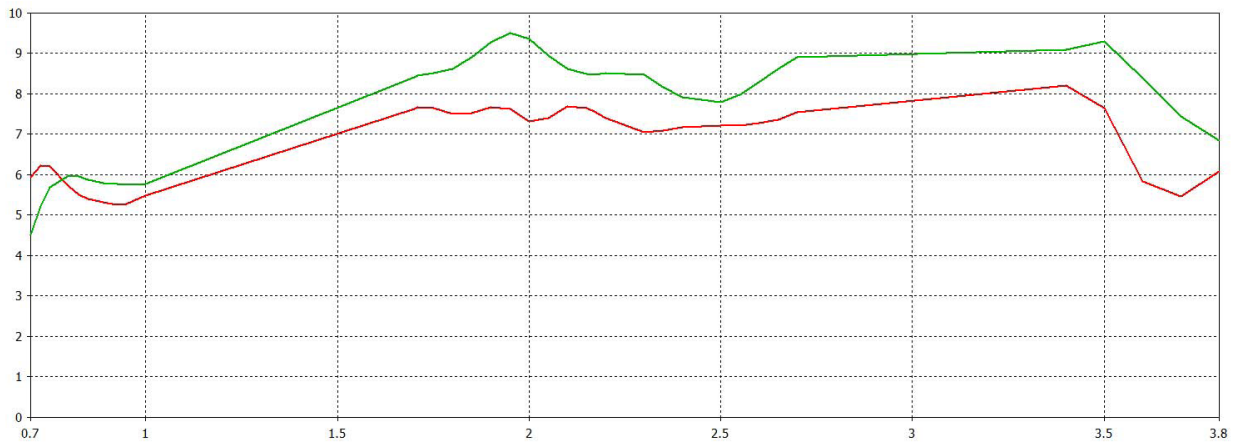
Typical VSWR Elements 1 & 2 *



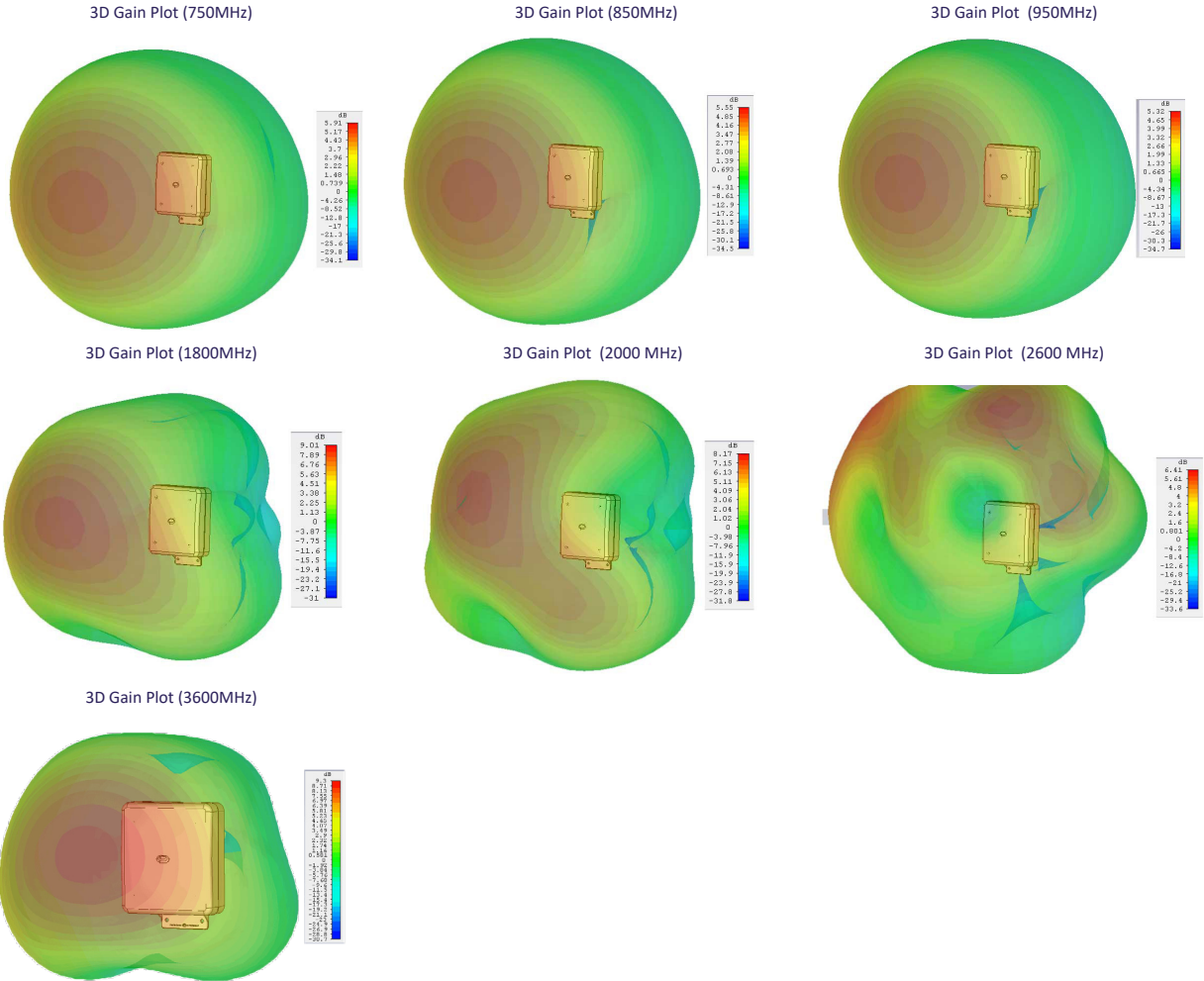
Typical Isolation Elements 1 & 2 *



Swept Peak Gain Elements 1 & 2 *



*Elements 1 & 2 swept peak gain without cable simulated in CST Microwave Studio



*WMM8G-7-38 3D Patterns show realised gain both elements fed modelled in CST Microwave Studio without additional cable.