

SMA Male Connector for L-240 Coaxial Cable

Model Number

SA1-C-L24

GTIN-13

9337692000942

Component Type

RF Connector

Usage

General Purpose

RF Category

UHF, Cellular, WiFi



SMA connectors have become the mainstay of wireless technologies thanks to their modest durability and very compact size. The SMA Male (also referred to as an SMA Plug) connector can be identified by its hex-shaped outer body which rotates to interface by its inner thread.

A gold pin protrudes from the centre of the connector which upon threading together couples with the receptacle on the female connector.

This standard straight-bodied SMA Male connector is designed for an ordinary crimp and solder attachment to LMR-240 and equivalent series braided coaxial cables.

Installation is very simple. After preparing the cable, the pin is soldered onto the centre conductor and outer body pushed over the top until the pin sits flush. A standard 6.5 mm (.255") hex die is used to crimp the ferrule to the coaxial cable.

- Supports frequencies up to 6 GHz
- Suits all L-240 series coaxial cables
- 6.5 mm (.255") hex die crimp attachment
- Interface compliant to IEC 61169-15

Component Technical Data

PHYSICAL CHARACTERISTICS

Body Material(s)	Brass	Contact Material(s)	Brass
Body Plating	Gold	Contact Plating	Gold
Dimensions	19.5 x 8 x 8 mm	Operating Temperature	-65 °C to 165 °C
Weight	6 g	Mating Cycles	> 500
Mechanical Shock	MIL-STD-202 M.213 C.D	Vibration	MIL-STD-202 M.204 C.A

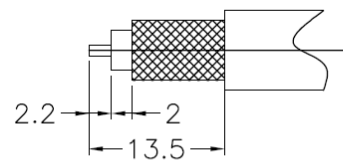
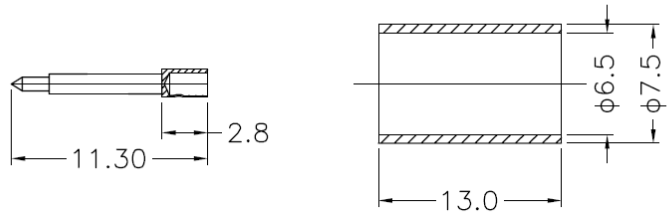
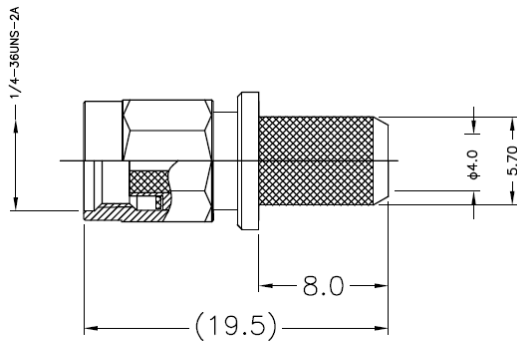
RF PERFORMANCE

Frequency Range	0 to 6000 MHz	Input Impedance	50 Ω
VSWR	< 1.25:1	Insertion Loss	< 0.1 dB
PIM, 3 rd Order	-	Working Voltage	1000 Vrms

INTERFACE

Series	SMA	Body Shape	Straight
Gender	Male	Mounting	Free Hanging

CAD Drawing



Recommended stripping size



Document Generated on 4/06/2022 10:22 AM

Disclaimer: Although care has been taken to ensure the accuracy, completeness and reliability of the information provided, Powertec assumes no responsibility therefore. The user of the information agrees that the information is subject to change without notice. Powertec assumes no responsibility for the consequences of use of such information, nor for any infringement of third party intellectual property rights which may result from its use. IN NO EVENT SHALL POWERTEC BE LIABLE FOR ANY DIRECT, INDIRECT, SPECIAL, OR INCIDENTAL DAMAGE RESULTING FROM, ARISING OUT OF OR IN CONNECTION WITH THE USE OF THE INFORMATION.



OBSEQUENTIA
SAFETY CERTIFIED
AS/NZS 4801:2001



OBSEQUENTIA
QUALITY CERTIFIED
ISO 9001:2015



OBSEQUENTIA
ENVIRONMENT CERTIFIED
ISO 14001:2015

