

4G LTE



4G LTE Magnet Mount Antenna

UMB-TC-204A



Frequency :700~2700MHZ

Gain : 5dBi

Connector : SMA/Male (Optional)

V.S.W.R : <1.5:1

Impedance : 50ohm

Cable : RG58 3M (Optional)

Length: 238cm

Weight: 400g

Material: Steel/ Copper/ TPR

Polarization : Vertical

Color : Black

Mounting : Magnet Type

Temperature:-30°C to +80°C

Max. Power: 50W

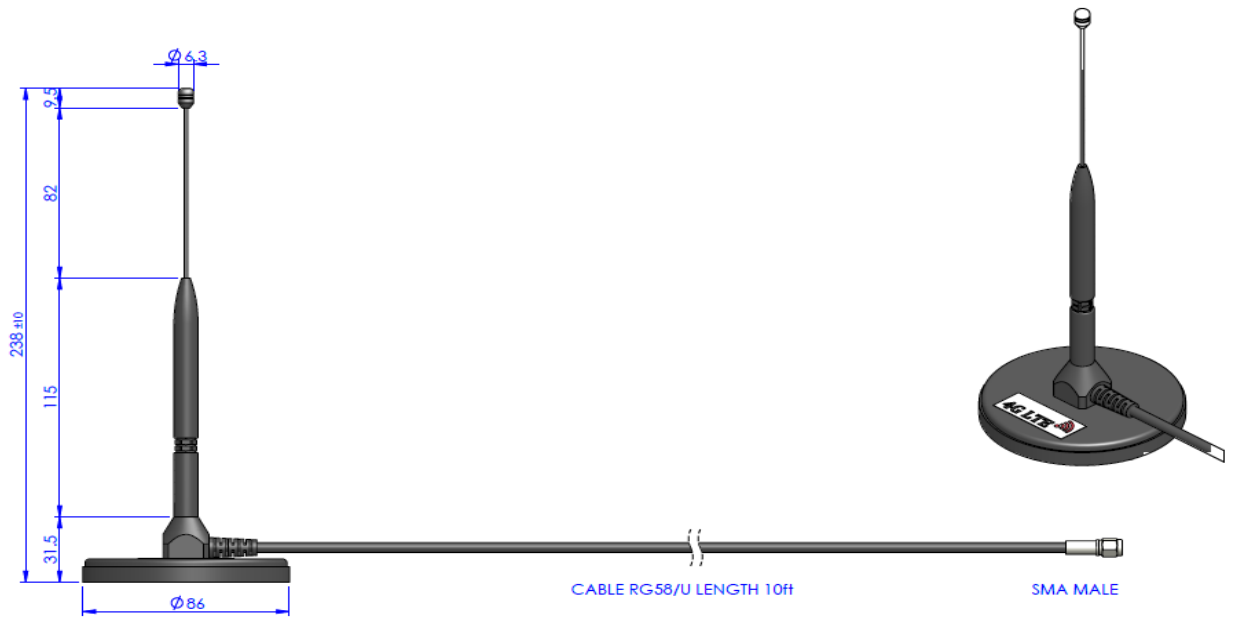
© 2016 EVERCOM COMMUNICATION TECHNOLOGY CO., LTD.

No.108 Jiesin St. Taoyuan District Taoyuan City 33063, Taiwan R.O.C.

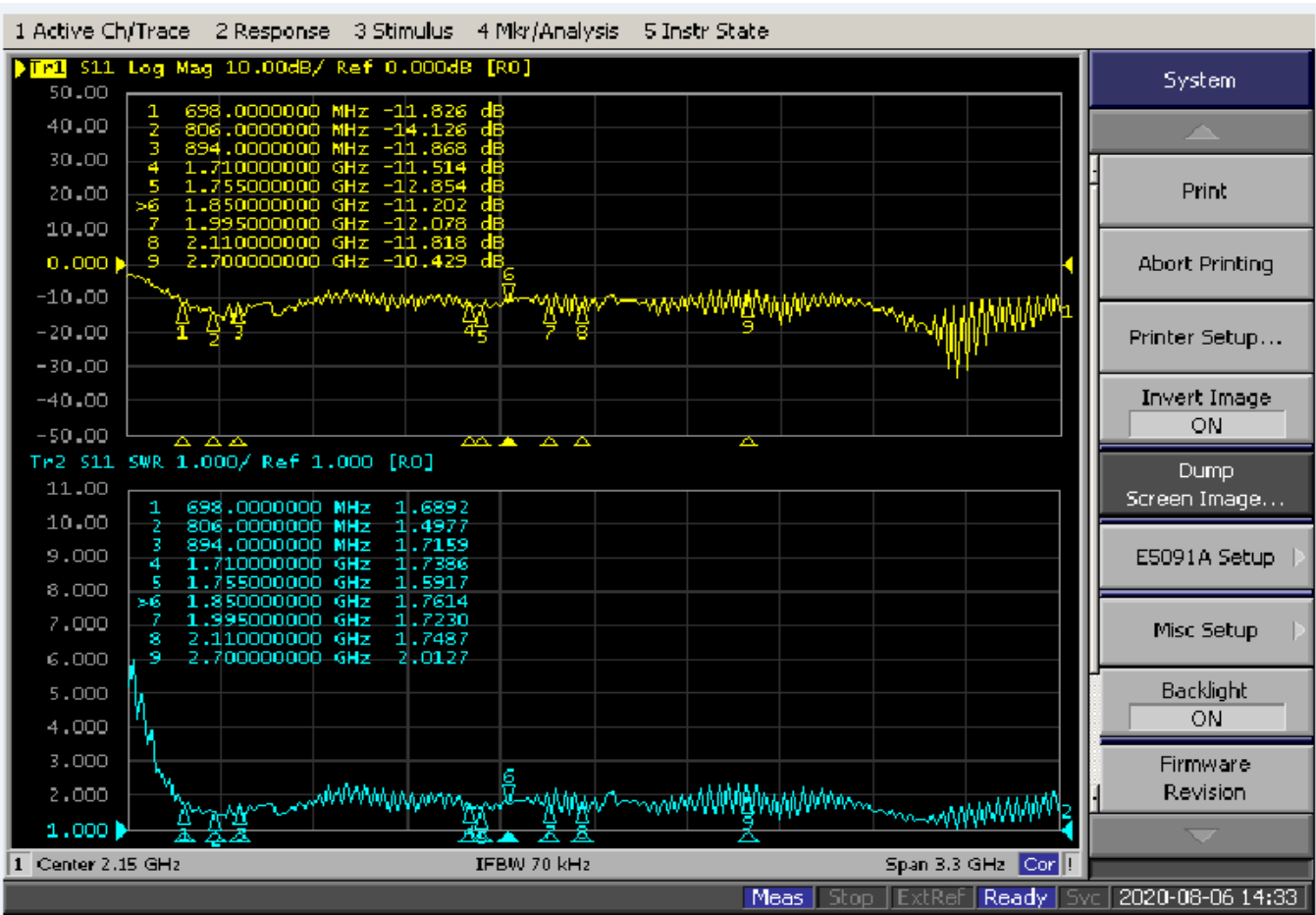
Tel: +886-3- 376- 5678 Fax: +886-3- 376- 5319 E-Mail: service@evercomtech.com



ISO 9001



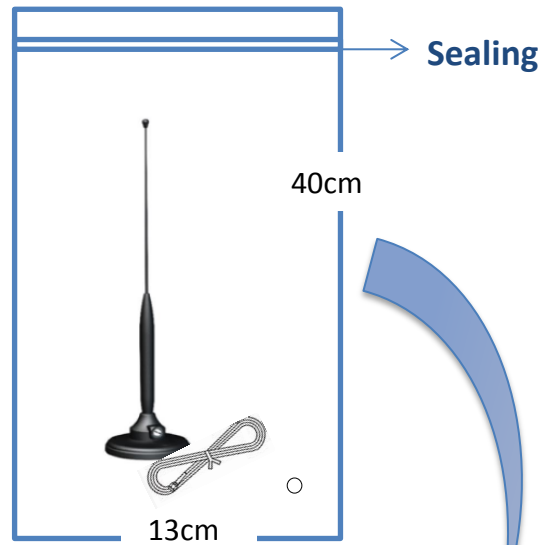
EVERCOM COMMUNICATION TECHNOLOGY CO.; LTD		CHECKED BY	APPROVAL BY	DESIGNED BY	SCALE	UNIT
MODEL NAME	MODEL NO.	UMB-TC204ASMA-M3		C.H.C 2017.11.20	1:2	mm



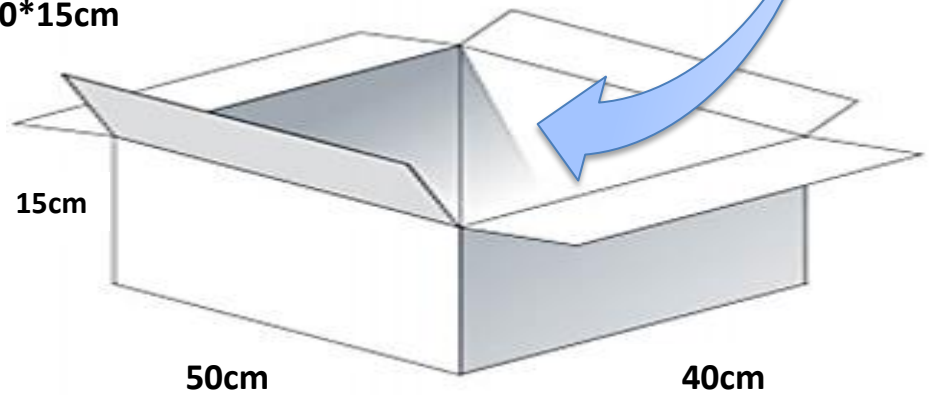
4G LTE

Packaging

*1 pc Antenna PE bag/ each



*25 pcs Bulk /per carton
Carton Dimensions:50*40*15cm



4G LTE

Antenna Applications

