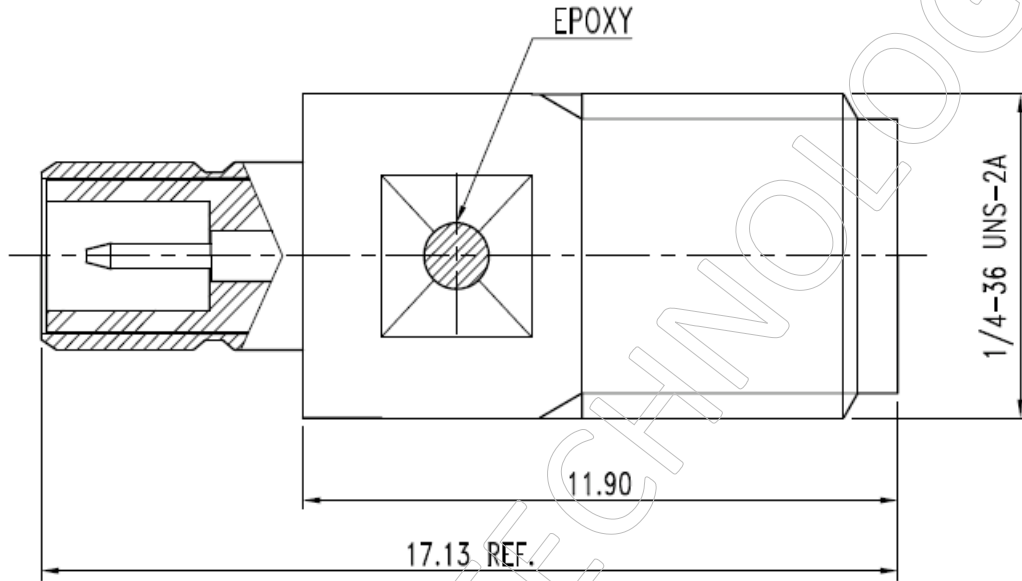


■ **Outline Dimension Drawing**

Dimensions: mm[inch]



■ **Material Specification**

Description	Material	Plating
Body	Stainless steel	Gold
Contact	BeCu	Gold
Dielectric*2	PTFE	

In the effort to improve our products, we reserve the right to make changes judged to be necessary.

■ Electrical Specification

Description			Description		
Impedance	50	Ω	Insulation Resistance	5000	MΩ Min.
Frequency	6	GHz Max.	Inner Contact Resistance	3.0	mΩ Max.
VSWR	1.2	Max.	Outer Contact Resistance	2.0	mΩ Max.
Insertion Loss	N/A	dB			
Voltage Rating	550	Vrms Max.			
Dielectric Withstanding Voltage	750	Vrms Max.			

■ Mechanical Specification

Description			Description		
Center Contact			Recommended Torque	N/A	in. lbs
Axial Force-Mating End	4.0	lbs.			
Axial Force-Opposite End	N/A	lbs.			
Connector Durability	500	cycles			
Weight	1.78	g			

■ Environmental Specification

Description		
Temperature Min.	-65	°C
Temperature Max.	165	°C
Hermetic Seal	N/A	

In the effort to improve our products, we reserve the right to make changes judged to be necessary.