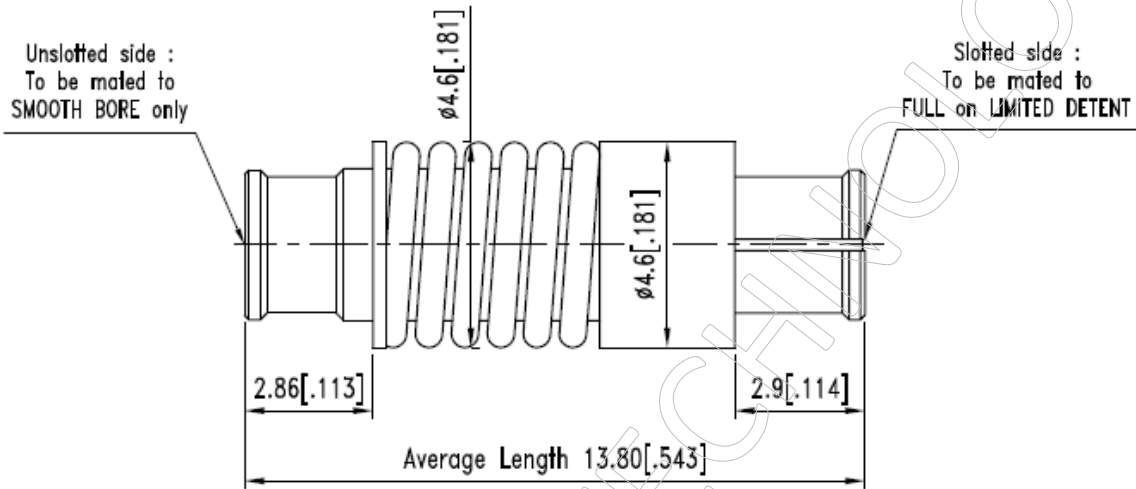


■ **Outline Dimension Drawing**

Dimensions: mm[inch]



■ **Material Specification**

Description	Material	Plating
Body	BeCu	Gold
Body	Stainless steel	Passivate
Contact	BeCu	Gold
Dielectric	PTFE	
Spring	Stainless steel	Passivate

In the effort to improve our products, we reserve the right to make changes judged to be necessary.

**■ Electrical Specification**

Description		Description	
Impedance	50 Ω		
Frequency	12.4 GHz Max.	Insulation Resistance	5000 MΩ Min.
VSWR	1.4 Max.	Inner Contact Resistance	N/A mΩ Max.
Insertion Loss	N/A dB	Outer Contact Resistance	N/A mΩ Max.
Voltage Rating	350 Vrms Max.		
Dielectric Withstanding Voltage	500 Vrms Max.		

**■ Mechanical Specification**

Description		Description	
Center Contact		Recommended Torque	0.0 in. lbs
Axial Force-Mating End	6.7 lbs.		
Axial Force-Opposite End	6.7 lbs.		
Connector Durability	1000 cycles		
Weight	0.8 g		

**■ Environmental Specification**

Description	
Temperature Min.	-65 °C
Temperature Max.	85 °C
Hermetic Seal	N/A

In the effort to improve our products, we reserve the right to make changes judged to be necessary.