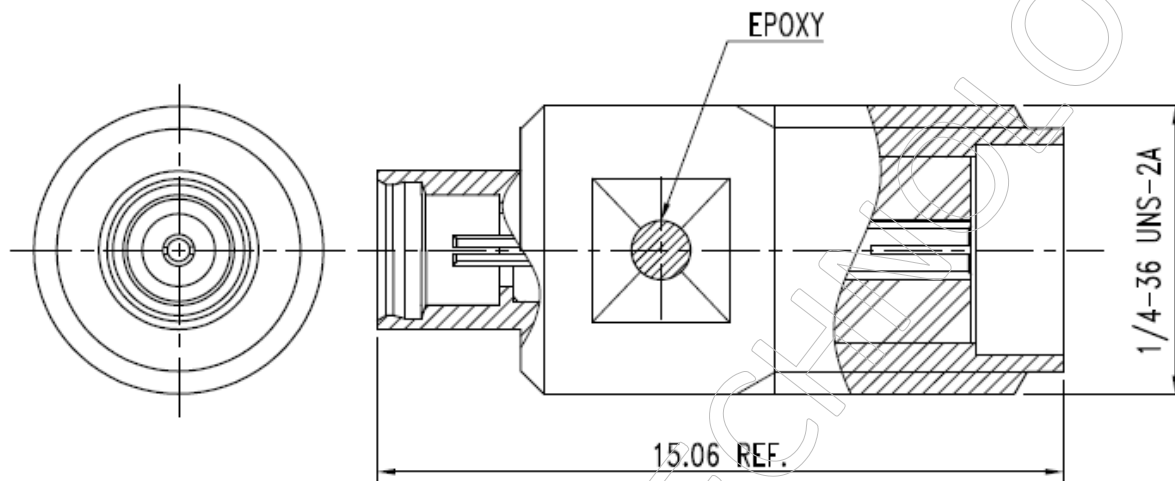


■ **Outline Dimension Drawing**

Dimensions: mm[inch]



■ **Material Specification**

Description	Material	Plating
Body	Stainless steel	Gold
Contact	BeCu	Gold
Dielectric	PTFE	

In the effort to improve our products, we reserve the right to make changes judged to be necessary.

Electrical Specification

Description		Description	
Impedance	50 Ω	Insulation Resistance	5000 MΩ Min.
Frequency	18 GHz Max.	Inner Contact Resistance	5 mΩ Max.
VSWR	1.4 Max.	Outer Contact Resistance	1 mΩ Max.
Insertion Loss	0.23 dB		
Voltage Rating	170 Vrms Max.		
Dielectric Withstanding Voltage	500 Vrms Max.		

Mechanical Specification

Description		Description	
Center Contact		Recommended Torque	0.0 in. lbs
Axial Force-Mating End	4 lbs.		
Axial Force-Opposite End	N/A lbs.		
Connector Durability	500 cycles		
Weight	1.756 g		

Environmental Specification

Description	
Temperature Min.	-65 °C
Temperature Max.	125 °C
Hermetic Seal	N/A

In the effort to improve our products, we reserve the right to make changes judged to be necessary.