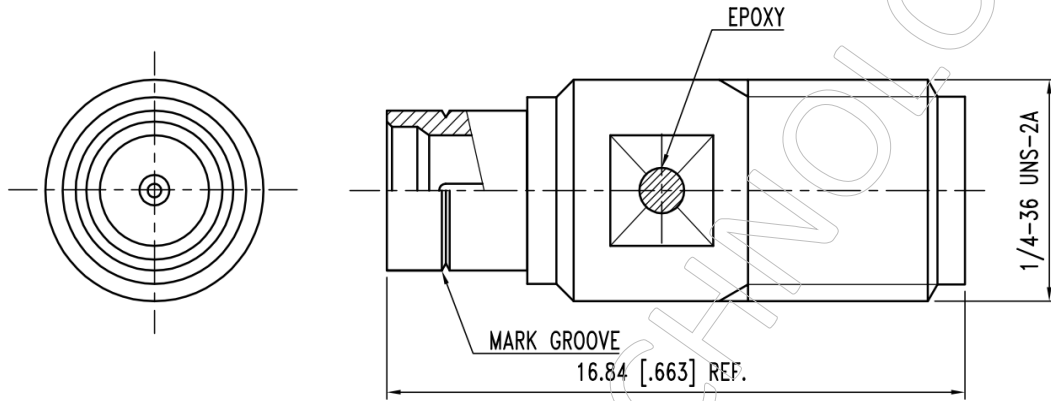


■ **Outline Dimension Drawing**

Dimensions: mm[inch]



■ **Material Specification**

Description	Material	Plating
Body	Brass	Gold
Body	Stainless steel	Gold
Contact	BeCu	Gold
Dielectric	PTFE	

In the effort to improve our products, we reserve the right to make changes judged to be necessary.

**■ Electrical Specification**

Description		Description	
Impedance	50 $\Omega$		
Frequency	18 GHz Max.	Insulation Resistance	5000 M $\Omega$ Min.
VSWR	1.3 Max.	Inner Contact Resistance	6.0 m $\Omega$ Max.
Insertion Loss	0.25 dB	Outer Contact Resistance	2.0 m $\Omega$ Max.
Voltage Rating	170 Vrms Max.		
Dielectric Withstanding Voltage	500 Vrms Max.		

**■ Mechanical Specification**

Description		Description	
Center Contact		Recommended Torque	in. lbs
Axial Force-Mating End	2.0 lbs.		
Axial Force-Opposite End	0.5 lbs.		
Connector Durability	500 cycles		
Weight	2.16 g		

**■ Environmental Specification**

Description	
Temperature Min.	-65 $^{\circ}$ C
Temperature Max.	125 $^{\circ}$ C
Hermetic Seal	N/A

In the effort to improve our products, we reserve the right to make changes judged to be necessary.