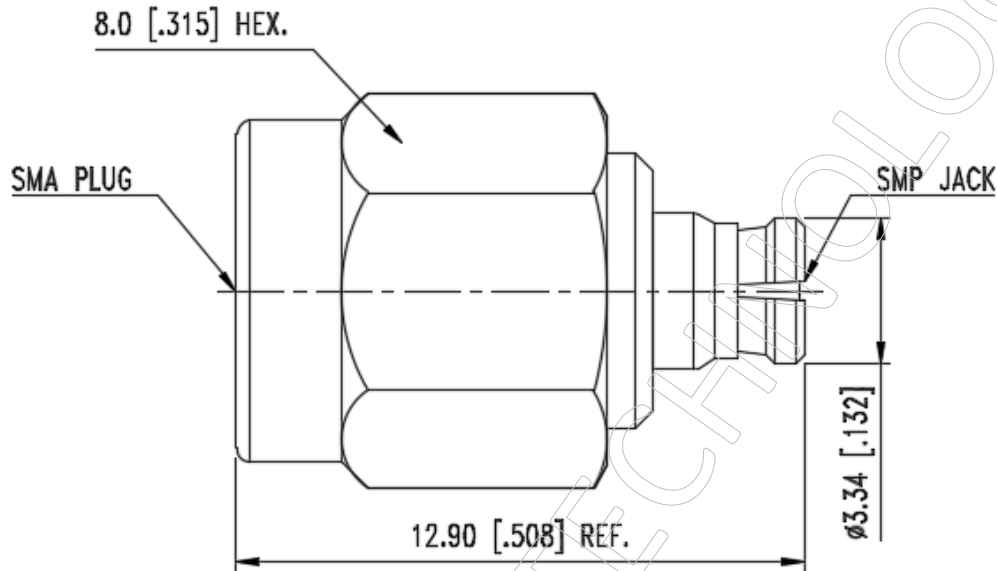


■ **Outline Dimension Drawing**

Dimensions: mm[inch]



■ **Material Specification**

Description	Material	Plating
Body	Brass	Gold
Body	BeCu	Gold
Contact	BeCu	Gold
Dielectric	PTFE	
Gasket	S.I.R	Red
Retaining Ring	SUS303	
Retaining Ring	BeCu	Gold
Coupling Nut	Brass	Gold

In the effort to improve our products, we reserve the right to make changes judged to be necessary.



■ **Electrical Specification**

Description		Description	
Impedance	50 Ω	Insulation Resistance	5000 MΩ Min.
Frequency	26.5 GHz Max.	Inner Contact Resistance	6 mΩ Max.
VSWR	1.3 Max.	Outer Contact Resistance	2 mΩ Max.
Insertion Loss	0.25 dB		
Voltage Rating	500 Vrms Max.		
Dielectric Withstanding Voltage	335 Vrms Max.		

■ **Mechanical Specification**

Description		Description	
Center Contact		Recommended Torque	7-9 in. lbs
Axial Force-Mating End	2 lbs.		
Axial Force-Opposite End	0.45 lbs.		
Connector Durability	500 cycles		
Weight	2.68 g		

■ **Environmental Specification**

Description	
Temperature Min.	-65 °C
Temperature Max.	165 °C
Hermetic Seal	N/A

In the effort to improve our products, we reserve the right to make changes judged to be necessary.