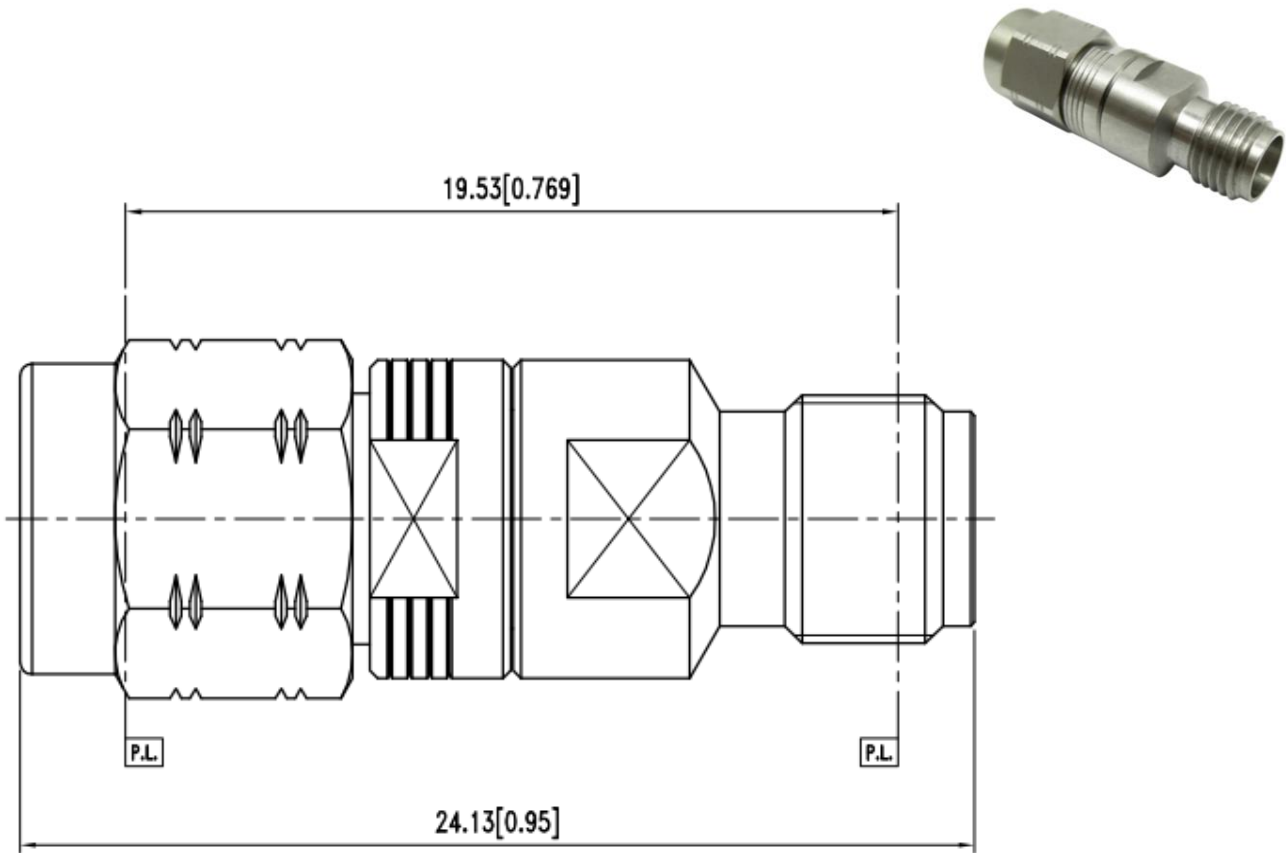


■ **Outline Dimension Drawing**



■ **Material Specification**

Description	Material	Plating
Body	SUS303	Passivated
Contact	BeCu	Gold (30 microinches)
Dielectric	High Performance	N/A
	Application Material	
Coupling Nut	SUS303	Passivated



■ **Electrical Specification**

Description			Description		
Impedance	50	$\Omega$	Insulation Resistance	5000	M $\Omega$ Min.
Frequency	26.5	GHz Max.	Inner Contact Resistance	6.0	m $\Omega$ Max.
VSWR	1.2	Max.	Outer Contact Resistance	2.0	m $\Omega$ Max.
Insertion Loss	N/A	dB			
Voltage Rating	N/A	Vrms Max.			
Dielectric Withstanding Voltage	750	Vrms Max.			

■ **Mechanical Specification**

Description			Description		
Center Contact			Recommended Torque	8.0	in. lbs
Axial Force-Mating End	6.0	lbs.			
Axial Force-Opposite End	6.0	lbs.			
Connector Durability	500	cycles			
Weight	6.9	g			

■ **Environmental Specification**

Description		
Temperature Min.	-40	$^{\circ}\text{C}$
Temperature Max.	105	$^{\circ}\text{C}$
Hermetic Seal	N/A	