

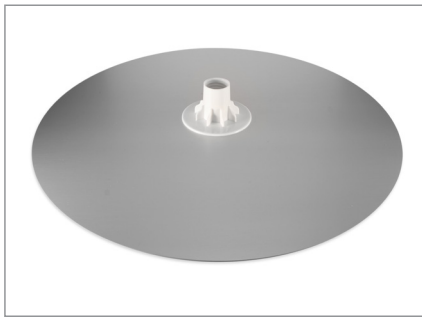
# Clarity Series™

## Translucent & White DAS Antenna Family

### Ultra-Thin, Ceiling-Mount Omni Antenna

Items	Pulse Part Number	Function	Material, Size	Comments
Above-Ceiling Antenna Reflector	DASUTCCACC1	Energy directive reflector	Aluminum 411.8x38.6mm (16.2x52 Inch)	Enhances Gain
Above-Ceiling Antenna Holder	DASACHOLDER	Support antennas above ceiling tile rails.	Polycarbonate; 618x192x122 mm (24.4x7.6x4.4 inch)	Low PIM; Rigid Construction
Clarity Solid-Ceiling Adapter	DASCLINSERT	Blind-hole installation of Clarity Antennas.	94 mm dia (3.7 inch dia)	Low PIM Installation
PIM-Blocker Absorber	DASACABSORBER	System PIM Reduction	500x500x50mm (19.7x12.7x1.97 inch)	Up to 30dB PIM Improvement

Above-Ceiling Reflector



Above-Ceiling Antenna Holder



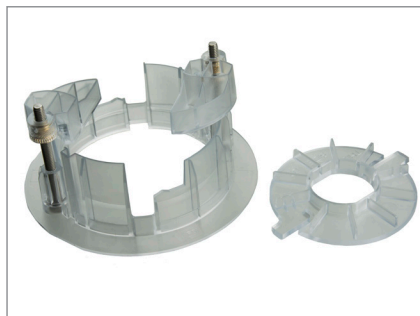
Above-Ceiling Antenna Holder (Shown with Antenna Installed)



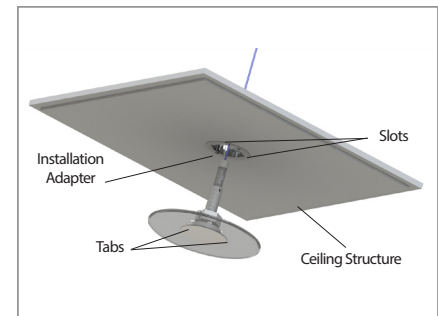
DAS PIM-Blocker Absorber



Clarity Solid-Ceiling Adapter

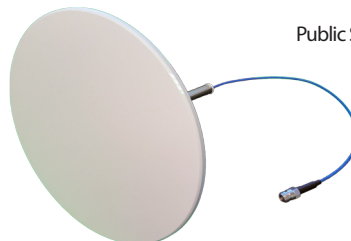


Typical Assembly using the Clarity Installation Adapter



Clarity-Pearl Series	Pulse Part Number	FREQ MHz	PIM Rating dBc	Connector	Color
Public Safety DAS Antenna	PSUTWCNF	380-570; 698-960	N/A	N-Female	White

Public Safety DAS Antenna



San Diego, California  
858 674 8100

Vancouver, Washington  
360 944 7551

Europe  
49 173 659 8521

China  
86 512 69206053